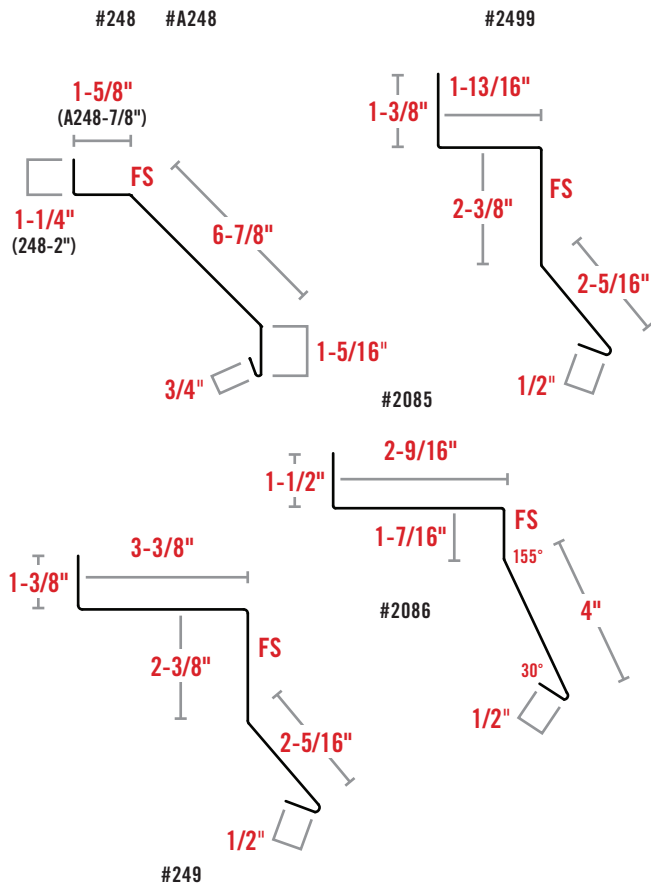


# METAL BUILDING TRIM PRODUCTS

## ► DOOR-TRACK COVER (ROUND, SQUARE AND OTHER)

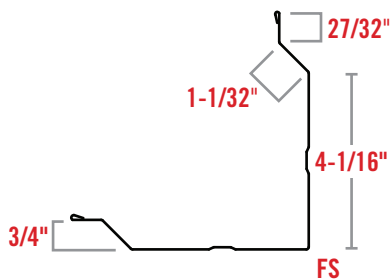
Available in Galvanized (GV10) or Painted in all K-Rib and select colors.



ITEM NUMBER	PRODUCT DESCRIPTION	PACKAGING PER BDL.	WEIGHT PER PIECE
40060-	#248 Door-Track Cover (round) – 10' 1" (for 2" Cannonball or Combo Track)	20 pcs.	6.53 lb.
40080-	#A248 Door-Track Cover (round) – 10' 1" (for 1" Cannonball or Combo Track)	20 pcs.	6.13 lb.
40020-	#2499 Door-Track Cover (square) – 10' (for National Track)	10 pcs.	4.61 lb.
40030-	#249 Door-Track Cover (square) – 10' (for National Track)	10 pcs.	5.40 lb.
82110-	#2085 Door-Track Cover (other) – 10' (for National Track)	10 pcs.	5.48 lb.
82130-	#2086 Door-Track Cover (other) – 10' (for National Track)	10 pcs.	6.24 lb.

## ► “K” RIBBED RAKE AND CORNER

Available in Galvanized (GV10) or Painted in all K-Rib and select colors.



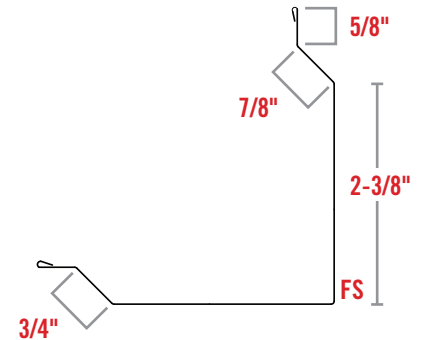
ITEM NUMBER	PRODUCT DESCRIPTION	PACKAGING PER BDL.	WEIGHT PER PIECE
40300-	#221 w/ Hem 12" Rake and Corner – 8'	10 pcs.	5.36 lb.
40310-	#221 w/ Hem 12" Rake and Corner – 10'	10 pcs.	6.70 lb.
40330-	#221 w/ Hem 12" Rake and Corner – 12'	10 pcs.	8.04 lb.
40350-	#221 w/ Hem 12" Rake and Corner – 14'	10 pcs.	9.38 lb.
40370-	#221 w/ Hem 12" Rake and Corner – 16'	10 pcs.	10.72 lb.
40380-	#221 w/ Hem 12" Rake and Corner – 18'	10 pcs.	12.06 lb.

# METAL BUILDING TRIM PRODUCTS

## ▶ RAKE AND CORNER WITH HEMMED EDGES

Available in Galvanized (GV10) or Painted in all K-Rib and select colors.

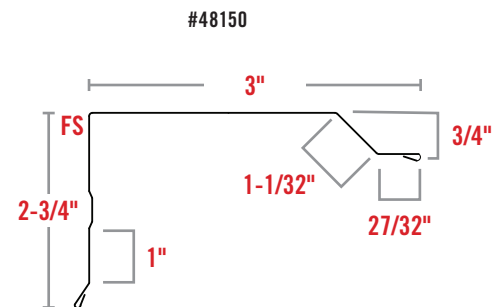
ITEM NUMBER	PRODUCT DESCRIPTION	PACKAGING PER BDL.	WEIGHT PER PIECE
41200-	#2223 w/ Hem 8" Rake and Corner – 10'	10 pcs.	4.58 lb.
41210-	#2223 w/ Hem 8" Rake and Corner – 12'	10 pcs.	5.50 lb.
41220-	#2223 w/ Hem 8" Rake and Corner – 14'	10 pcs.	6.41 lb.
41230-	#2223 w/ Hem 8" Rake and Corner – 16'	10 pcs.	7.20 lb.



## ▶ RAKE TRIM WITH HEMMED EDGES

Available in Galvanized (GV10) or Painted in all K-Rib and select colors.

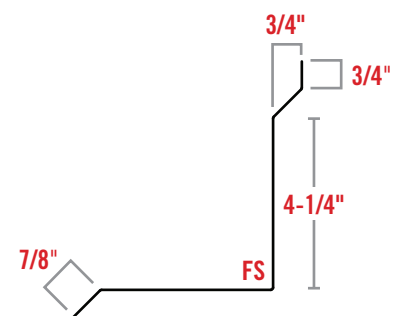
ITEM NUMBER	PRODUCT DESCRIPTION	PACKAGING PER BDL.	WEIGHT PER PIECE
40600-	#223 w/ Hem 14" Rake and Corner – 8'	10 pcs.	6.98 lb.
40610-	#223 w/ Hem 14" Rake and Corner – 10'	10 pcs.	8.72 lb.
40630-	#223 w/ Hem 14" Rake and Corner – 12'	10 pcs.	9.92 lb.
40650-	#223 w/ Hem 14" Rake and Corner – 14'	10 pcs.	12.21 lb.
40660-	#223 w/ Hem 14" Rake and Corner – 16'	10 pcs.	13.95 lb.
48150-	K-Rib Rake Trim – 10'	10 pcs.	4.51 lb.



## ▶ INSIDE CORNER TRIM

Available in Galvanized (GV10) or Painted in all K-Rib and select colors.

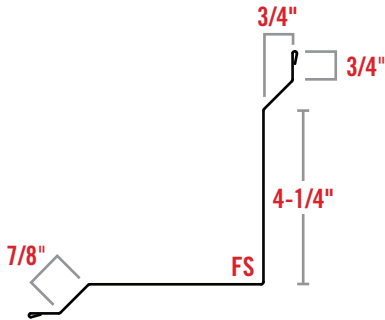
ITEM NUMBER	PRODUCT DESCRIPTION	PACKAGING PER BDL.	WEIGHT PER PIECE
40700-	#225 Inside Corner Trim – 10'	10 pcs.	6.60 lb.
40710-	#225 Inside Corner Trim – 12'	10 pcs.	7.92 lb.
40720-	#225 Inside Corner Trim – 14'	10 pcs.	9.24 lb.



# METAL BUILDING TRIM PRODUCTS

## ► INSIDE CORNER TRIM WITH HEMMED EDGES

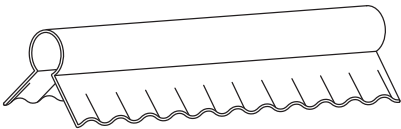
Available in Galvanized (GV10) or Painted in all K-Rib and select colors.



ITEM NUMBER	PRODUCT DESCRIPTION	PACKAGING PER BDL.	WEIGHT PER PIECE
40800-	#225 w/ Hem Inside Corner Trim – 10'	10 pcs.	6.70 lb.
40810-	#225 w/ Hem Inside Corner Trim – 12'	10 pcs.	8.04 lb.
40820-	#225 w/ Hem Inside Corner Trim – 14'	10 pcs.	9.38 lb.

## ► CORRUGATED RIDGE ROLL

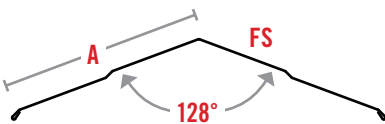
Available in Galvanized (GV10).



ITEM NUMBER	PRODUCT DESCRIPTION	PACKAGING PER BDL.	WEIGHT PER PIECE
34000-GV10	1-1/4" Corrugated Ridge Roll 10' – 10" Girth	10 pcs.	5.50 lb.
34010-GV10	1-1/4" Corrugated Ridge Roll 10' Econ (L-Ga.) – 10" Girth	10 pcs.	4.67 lb.
34040-GV10	2-1/2" Corrugated Ridge Roll 10' – 10" Girth	10 pcs.	5.50 lb.
34050-GV10	2-1/2" Corrugated Ridge Roll 10' Econ (L-Ga.) – 10" Girth	10 pcs.	4.67 lb.

## ► RIDGE CAP WITH HEMMED EDGES

Available in Galvanized (GV10) or Painted in all K-Rib and select colors.



### DIMENSIONS

	A
#206	6-7/8"
#2066	9-7/8"

ITEM NUMBER	PRODUCT DESCRIPTION	PACKAGING PER BDL.	WEIGHT PER PIECE
41500-	#206 w/ Hems 14" Ridge Cap – 10'	10 pcs.	8.61 lb.
41520-	#206 w/ Hems 14" Ridge Cap – 10' 6"	10 pcs.	9.03 lb.
41750-	#2066 w/ Hems 20" Ridge Cap – 10'	10 pcs.	12.22 lb.
41760-	#2066 w/ Hems 20" Ridge Cap – 10' 6"	10 pcs.	12.82 lb.

## ► RIDGE ROLL

*Available in Galvanized (GV10), Copper (CP16) or Painted in K-Rib and select colors.*

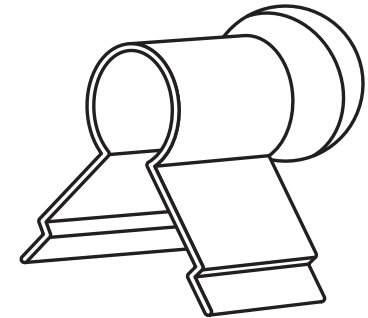
ITEM NUMBER	PRODUCT DESCRIPTION	PACKAGING PER BDL.	WEIGHT PER PIECE
31620-	#202 2" Pin Ridge Roll 10' – 10" Girth	10 pcs.	5.50 lb.
31630-	#202 2" Pin Ridge Roll 10' Econ (L-Ga.) – 10" Girth	10 pcs.	4.75 lb.
41300-	#203 14" Ridge Roll 10' – 14" Girth	10 pcs.	7.70 lb.
41301-	#203 14" Ridge Roll 10' Econ (L-Ga.) – 14" Girth	10 pcs.	6.65 lb.
41310-	#2033 12" Ridge Roll 10' – 12" Girth	10 pcs.	6.60 lb.
41311-	#2033 12" Ridge Roll 10' Econ (L-Ga.) – 12" Girth	10 pcs.	5.70 lb.



## ► GLOBE FINIALS

*Available in Galvanized (GV10) and Copper (CP16) only.*

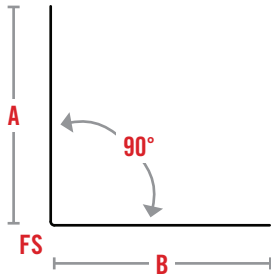
ITEM NUMBER	PRODUCT DESCRIPTION	PACKAGING PER BDL.	WEIGHT PER PIECE
31650-GV10	2" Globe Finial	20 pcs.	.45 lb.



# METAL BUILDING TRIM PRODUCTS

## ▶ ANGLE FLASHING

Available in Galvanized (GV10) or Painted in all K-Rib and select colors.



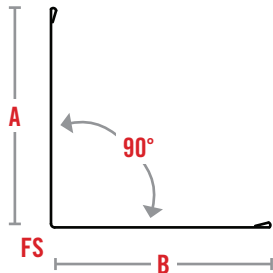
### DIMENSIONS

	A	B
#2560	1"	3"
#2565	1-1/2"	2-1/2"
#2567	1-1/2"	4-3/8"
#2568	1-1/2"	5"
#2570	2"	4"
#2600	4"	4"
#2605	4"	6"
#2610	5"	5"
#2620	6"	6"
#2580	2-1/2"	2-1/2"
#2590	3"	4"

ITEM NUMBER	PRODUCT DESCRIPTION	PACKAGING PER BDL.	WEIGHT PER PIECE
33300-	#2560 1" x 3" Angle Flashing – 10'	25 pcs.	2.20 lb.
33330-	#2565 1-1/2" x 2-1/2" Angle Flashing – 10'	25 pcs.	2.20 lb.
33360-	#2567 1-1/2" x 4-3/8" Angle Flashing – 10'	25 pcs.	3.23 lb.
33370-	#2568 1-1/2" x 5" Angle Flashing – 10'	25 pcs.	3.58 lb.
33380-	#2570 2" x 4" Angle Flashing – 10'	25 pcs.	3.30 lb.
33400-	#2580 2-1/2" x 2-1/2" Angle Flashing – 10'	25 pcs.	2.75 lb.
33420-	#2590 3" x 4" Angle Flashing – 10'	10 pcs.	3.85 lb.
33430-	#2600 4" x 4" Angle Flashing – 10'	10 pcs.	4.40 lb.
33540-	#2605 4" x 6" Angle Flashing – 10'	10 pcs.	5.50 lb.
33500-	#2610 5" x 5" Angle Flashing – 10'	10 pcs.	5.50 lb.
33600-	#2620 6" x 6" Angle Flashing – 10'	10 pcs.	6.60 lb.

## ▶ ANGLE FLASHING WITH HEMMED EDGES

Available in Galvanized (GV10) or Painted in all K-Rib and select colors.



### DIMENSIONS

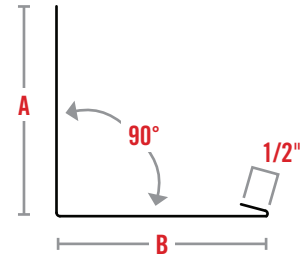
	A	B
#2560	1"	3"
#254	1-1/2"	1-1/2"
#2565	1-1/2"	1-1/2"
#255	2"	2"
#256	3"	3"
#2585	3-1/2"	3-1/2"
#2600	4"	4"
#2605	4"	6"
#2610	5"	5"
#2620	6"	6"

ITEM NUMBER	PRODUCT DESCRIPTION	PACKAGING PER BDL.	WEIGHT PER PIECE
33310-	#2560 w/ 2 Hems 1" x 3" Angle Flashing – 10'	10 pcs.	2.40 lb.
42250-	#254 w/ 2 Hems 1-1/2" x 1-1/2" Angle Flashing – 10'	10 pcs.	1.85 lb.
42255-	#254 w/ 2 Hems 1-1/2" x 1-1/2" Angle Flashing – 12'	10 pcs.	2.18 lb.
33340-	#2565 w/ 2 Hems 1-1/2" x 2-1/2" Angle Flashing – 10'	10 pcs.	2.40 lb.
42270-	#255 w/ 2 Hems 2" x 2" Angle Flashing – 10'	10 pcs.	2.40 lb.
42290-	#256 w/ 2 Hems 3" x 3" Angle Flashing – 10'	10 pcs.	3.50 lb.
42295-	#256 w/ 2 Hems 3" x 3" Angle Flashing – 12'	10 pcs.	4.16 lb.
33415-	#2585 w/ 2 Hems 3-1/2" x 3-1/2" Angle Flashing – 10'	10 pcs.	4.05 lb.
33460-	#2600 w/ 2 Hems 4" x 4" Angle Flashing – 10'	10 pcs.	4.60 lb.
33550-	#2605 w/ 2 Hems 4" x 6" Angle Flashing – 10'	10 pcs.	5.70 lb.
33510-	#2610 w/ 2 Hems 5" x 5" Angle Flashing – 10'	10 pcs.	5.70 lb.
33610-	#2620 w/ 2 Hems 6" x 6" Angle Flashing – 10'	10 pcs.	6.80 lb.

## ▶ ANGLE FLASHING WITH LIP (TURN-BACK)

Available in Galvanized (GV10) or Painted in all K-Rib and select colors.

ITEM NUMBER	PRODUCT DESCRIPTION	PACKAGING PER BDL.	WEIGHT PER PIECE
87535-GV10	#2530 2" x 6" Angle Flashing w/ Lip (.012) – 10'	10 pcs.	4.00 lb.
87530-	#2530 2" x 6" Angle Flashing w/ Lip Std. Ga. – 10'	10 pcs.	6.42 lb.
87350-GV10	#2494 3" x 3-1/2" Angle Flashing w/ Lip (.012) – 10'	10 pcs.	3.29 lb.
87355-	#2494 3" x 3-1/2" Angle Flashing w/ Lip Std. Ga. – 10'	10 pcs.	5.29 lb.
87341-GV10	#2493 4" x 3-1/2" Angle Flashing w/ Lip (.012) – 10'	10 pcs.	3.76 lb.
87342-	#2493 4" x 3-1/2" Angle Flashing w/ Lip Std. Ga. – 10'	10 pcs.	4.37 lb.
87340-	#2493 4" x 3-1/2" Angle Flashing w/ Lip 26 Ga. – 12'	10 pcs.	6.04 lb.
85720-GV10	#2314 4" x 4" Angle Flashing w/ Lip (.012) – 10'	10 pcs.	4.00 lb.
85718-	#2214 4" x 4" Angle Flashing w/ Lip Std. Ga. – 10'	10 pcs.	4.65 lb.
86670-GV10	#2415 4" x 4-1/2" Angle Flashing w/ Lip (.012) – 10'	10 pcs.	4.22 lb.
86675-	#2415 4" x 4-1/2" Angle Flashing w/ Lip Std. Ga. – 10'	10 pcs.	4.92 lb.
86000-GV10	#2347 4" x 5" Angle Flashing w/ Lip (.012) – 10'	10 pcs.	4.45 lb.
86005-	#2347 4" x 5" Angle Flashing w/ Lip Std. Ga. – 10'	10 pcs.	5.19 lb.
85650-GV10	#2299 5" x 4-1/2" Angle Flashing w/ Lip (.012) – 10'	10 pcs.	4.71 lb.
85651-	#2299 5" x 4-1/2" Angle Flashing w/ Lip Std. Ga. – 10'	10 pcs.	5.47 lb.
85980-GV10	#2345 6" x 4-1/2" Angle Flashing w/ Lip (.012) – 10'	10 pcs.	5.18 lb.
85985-	#2345 6" x 4-1/2" Angle Flashing w/ Lip Std. Ga. – 10'	10 pcs.	6.01 lb.
86220-GV10	#2369 6" x 5-1/2" Angle Flashing w/ Lip (.012) – 10'	10 pcs.	6.28 lb.
86221-	#2369 6" x 5-1/2" Angle Flashing w/ Lip Std. Ga. – 10'	10 pcs.	6.56 lb.
86222-	#2369 6" x 5-1/2" Angle Flashing w/ Lip 26 Ga. – 10'	10 pcs.	9.06 lb.
85970-GV10	#2344 6" x 6" Angle Flashing w/ Lip (.012) – 10'	10 pcs.	6.54 lb.
85971-	#2344 6" x 6" Angle Flashing w/ Lip Std. Ga. – 10'	10 pcs.	6.83 lb.
85972-	#2344 6" x 6" Angle Flashing w/ Lip 26 Ga. – 10'	10 pcs.	9.44 lb.
86280-GV10	#2346 6" x 11" Angle Flashing w/ Lip (.012) – 10'	10 pcs.	9.16 lb.
86285-	#2346 6" x 11" Angle Flashing w/ Lip Std. Ga. – 10'	10 pcs.	9.57 lb.



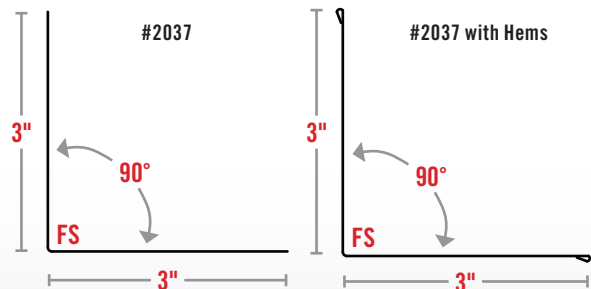
### DIMENSIONS

	A	B
#2530	2"	6"
#2494	3"	3-1/2"
#2493	4"	3-1/2"
#2314	4"	4"
#2214	4"	4"
#2415	4"	4-1/2"
#2347	4"	5"
#2299	5"	4-1/2"
#2345	6"	4-1/2"
#2369	6"	5-1/2"
#2344	6"	6"
#2346	6"	11"

## ▶ INSIDE ANGLE FLASHING

Available in Galvanized (GV10) or Painted in all K-Rib and select colors.

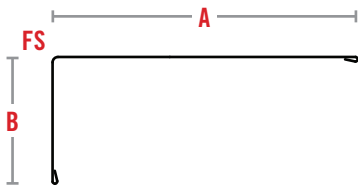
ITEM NUMBER	PRODUCT DESCRIPTION	PACKAGING PER BDL.	WEIGHT PER PIECE
42300	#2037 Inside Angle Flashing – 10'	25 pcs.	3.30 lb.
42302	#2037 Inside Angle Flashing – 12'	25 pcs.	3.96 lb.
42310	#2037 Inside Angle Flashing w/ Hem – 10'	10 pcs.	3.60 lb.



# METAL BUILDING TRIM PRODUCTS

## ► DOOR-EDGE TRIM WITH HEMMED EDGES

Available in Galvanized (GV10) or Painted in all K-Rib and select colors.



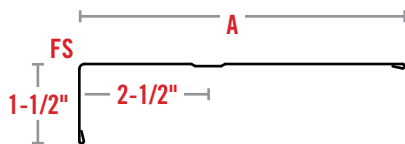
ITEM NUMBER	PRODUCT DESCRIPTION	PACKAGING PER BDL.	WEIGHT PER PIECE
42370-	#2505 w/ 2 Hems Door-Edge Trim – 10'	10 pcs.	2.14 lb.
42380-	#2505 w/ 2 Hems Door-Edge Trim – 12'	10 pcs.	2.53 lb.
42410-	#2078 w/ 2 Hems Door-Edge Trim – 10'	10 pcs.	1.86 lb.

### DIMENSIONS

	A	B
#2505	2"	1-1/2"
#2078	2"	1"

## ► “K” RIBBED DOOR-EDGE AND DOOR-POST TRIM

Available in Galvanized (GV10) or Painted in all K-Rib and select colors.



ITEM NUMBER	PRODUCT DESCRIPTION	PACKAGING PER BDL.	WEIGHT PER PIECE
42610-	#2930 w/ 2 Hems Door-Edge Trim – 10'	25 pcs.	2.96 lb.
42620-	#2930 w/ 2 Hems Door-Edge Trim – 12'	25 pcs.	3.52 lb.
42760-	#244 w/ 2 Hems Door-Post Trim – 10'	20 pcs.	4.06 lb.
42780-	#244 w/ 2 Hems Door-Post Trim – 12'	20 pcs.	4.84 lb.
42860-	#2036 w/ 2 Hems Door-Post Trim – 10'	20 pcs.	5.17 lb.
42880-	#2036 w/ 2 Hems Door-Post Trim – 12'	20 pcs.	6.15 lb.
42910-	#271 w/ 2 Hems Door-Post Trim – 10'	20 pcs.	5.38 lb.
43010-	#273 w/ 2 Hems Door-Post Trim – 10'	10 pcs.	6.48 lb.

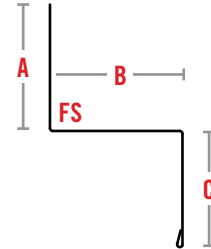
### DIMENSIONS

	A
#2930	3-1/2"
#244	5-1/2"
#2036	7-1/2"
#271	8"
#273	10"

## ▶ DOUBLE-ANGLE TRIM WITH HEMMED EDGE

Available in Galvanized (GV10) or Painted in all K-Rib and select colors.

ITEM NUMBER	PRODUCT DESCRIPTION	PACKAGING PER BDL.	WEIGHT PER PIECE
43110-	#242 w/ Hem Double-Angle Trim – 10'	50 pcs.	1.41 lb.
43160-	#2242 w/ Hem Double-Angle Trim – 10'	50 pcs.	1.41 lb.
43165-	#2242 w/ Hem Double-Angle Trim – 12'	25 pcs.	1.54 lb.
43190-	#2504 w/ Hem Double-Angle Inside Retainer – 10'	25 pcs.	1.96 lb.
43210-	#2035 w/ Hem Double-Angle Trim – 10'	25 pcs.	2.16 lb.
43240-	#274 w/ Hem Double-Angle Trim – 10'	25 pcs.	1.96 lb.
43270-	#2099 w/ Hem Double-Angle Trim – 10'	25 pcs.	3.13 lb.
43300-	#2073 w/ Hem Double-Angle Trim – 10'	25 pcs.	2.58 lb.
43370-	#275 w/ Hem Double-Angle Trim – 10'	25 pcs.	3.02 lb.
43400-	#276 w/ Hem Double-Angle Trim – 10'	25 pcs.	2.23 lb.
43440-	#283 w/ Hem Double-Angle Trim – 10'	25 pcs.	2.51 lb.
43490-	#285 w/ Hem Double-Angle Trim – 10'	25 pcs.	1.96 lb.
43500-	#285 w/ Hem Double-Angle Trim – 12'	25 pcs.	2.33 lb.
43320-	#2211 Trackboard Cover – 10'	20 pcs.	4.68 lb.
43120-	#2228 w/ Hem Double-Angle Trim – 10'	50 pcs.	1.31 lb.



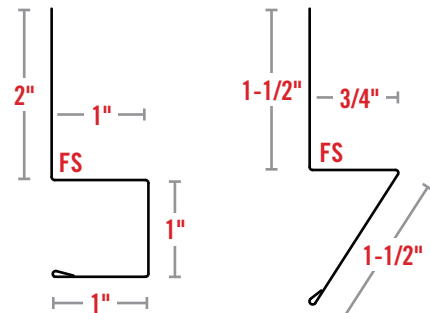
### DIMENSIONS

	A	B	C
#242	1"	3/4"	5/8"
#2242	1"	1"	5/8"
#2504	1"	1-3/4"	5/8"
#2035	1-1/2"	3/4"	1-1/2"
#274	1-3/4"	1-1/8"	1/2"
#2099	2"	1-1/4"	2-1/4"
#2073	1-1/2"	1-1/2"	1-1/2"
#275	1-5/8"	1-1/2"	2-3/16"
#276	1-1/2"	1-3/4"	5/8"
#283	1-1/2"	2-1/4"	5/8"
#285	1-1/2"	3/4"	1-1/8"
#2211	5"	1-1/2"	2"
#2228	1-1/2"	7/8"	1-1/8"

## ▶ BOTTOM CLOSURE/DOOR GUIDE AND RAT GUARD II

Available in Galvanized (GV10) or Painted in all K-Rib and select colors.

ITEM NUMBER	PRODUCT DESCRIPTION	PACKAGING PER BDL.	WEIGHT PER PIECE
43580-	#2933 w/ Hem Bottom Closure and Door Guide – 10'	10 pcs.	2.84 lb.
43590-	#2933 w/ Hem Bottom Closure and Door Guide – 12'	10 pcs.	3.41 lb.
43620-	#234 Rat Guard II – 10'	20 pcs.	2.17 lb.
43625-	#234 Rat Guard II – 12'	20 pcs.	2.60 lb.



#2933

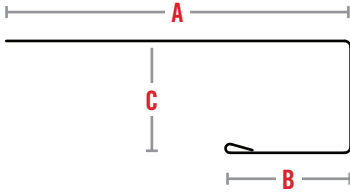
#234



# METAL BUILDING TRIM PRODUCTS

## ► “J” CHANNEL AND FRAMING CLOSURE WITH HEMMED EDGE

Available in Galvanized (GV10) or Painted in all K-Rib and select colors.



### DIMENSIONS

	A	B	C
#246	3"	2"	5/8"
#2466	3"	2"	7/8"
#250	3-1/2"	1"	1-1/2"
#251	2-3/4"	1"	1-1/4"
#252	3"	1"	1"
#2077	1-1/4"	1/2"	1/2"
#259	3"	2"	1"
#2900	1-1/2"	3/4"	7/8"
#2987	2-1/2"	1"	3/4"
#2209	2"	1"	5/8"
#2206	2-1/2"	1"	2"
#266	2-1/8"	7/8"	7/8"

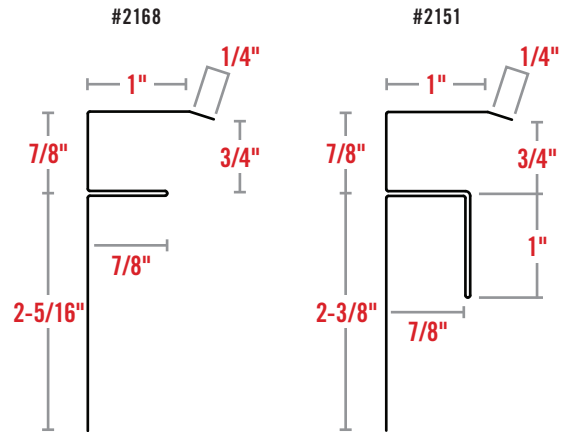
ITEM NUMBER	PRODUCT DESCRIPTION	PACKAGING PER BDL.	WEIGHT PER PIECE
43850-	#246 w/ Hem Framing Closure – 10'	20 pcs.	3.19 lb.
43860-	#246 w/ Hem Framing Closure – 12'	20 pcs.	3.83 lb.
43950-	#2466 w/ Hem Framing Closure – 10'	20 pcs.	3.19 lb.
43960-	#2466 w/ Hem Framing Closure – 12'	20 pcs.	3.83 lb.
44010-	#250 w/ Hem Door-Edge Cover – 10'	25 pcs.	3.40 lb.
44060-	#251 w/ Hem J Channel – 10'	25 pcs.	2.85 lb.
44090-	#252 w/ Hem J Channel – 10'	25 pcs.	2.85 lb.
44160-	#2077 w/ Hem J Trim – 10'	50 pcs.	1.34 lb.
44190-	#259 w/ Hem J Trim – 10'	25 pcs.	3.40 lb.
44210-	#259 w/ Hem J Trim – 14'	25 pcs.	4.76 lb.
44270-	#2900 w/ Hem J Channel – 10'	50 pcs.	1.82 lb.
44280-	#2900 w/ Hem J Channel – 12'	50 pcs.	2.18 lb.
44310-	#2987 w/ Hem Framing Closure – 10'	25 pcs.	2.20 lb.
44320-	#2987 w/ Hem Framing Closure – 12'	25 pcs.	2.64 lb.
44400-	#2209 w/ Hem J Trim – 10'	25 pcs.	2.09 lb.
44410-	#2209 w/ Hem J Trim – 12'	25 pcs.	2.51 lb.
44470-	#2206 w/ Hem Door and Window Header Trim – 10'	25 pcs.	3.13 lb.
44480-	#266 w/ Hem Framing Closure – 10'	20 pcs.	2.23 lb.
44488-	#266 w/ Hem Framing Closure – 12'	20 pcs.	2.68 lb.
<b>Non-Hem J Channel and Framing Closure</b>			
44000-	#250 Door-Edge Cover – 10'	25 pcs.	3.30 lb.
44050-	#251 J Channel – 10'	25 pcs.	2.75 lb.
44080-	#252 J Channel – 10'	25 pcs.	2.75 lb.
44150-	#2077 J Trim – 10'	50 pcs.	1.24 lb.
44180-	#259 J Trim – 10'	25 pcs.	3.40 lb.

# METAL BUILDING TRIM PRODUCTS

## ► “K” RIBBED F, F AND J TRIM

Available in Galvanized (GV10) or Painted in all K-Rib and select colors. 7/8" opening on both products allows for one profile to be used with K-Ribbed Soffit, Liner or Roofing Panel. **Spiral-wrapped packaging.**

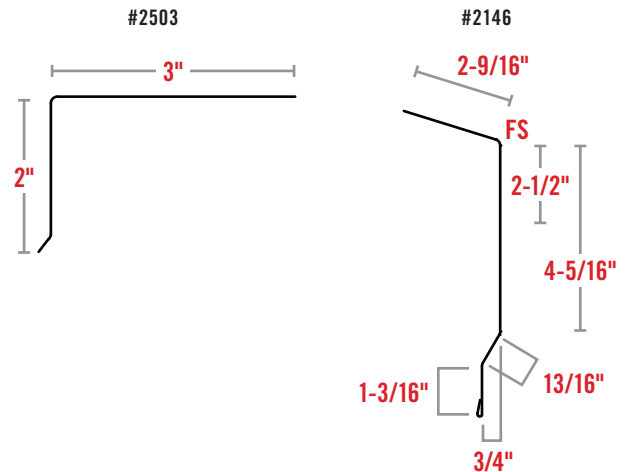
ITEM NUMBER	PRODUCT DESCRIPTION	PACKAGING PER BDL.	WEIGHT PER PIECE
83830-	#2168 F Trim – 10'	10 pcs.	3.37 lb.
83650-	#2151 F and J Trim – 10'	10 pcs.	4.51 lb.



## ► EAVES TRIM AND FASCIA TRIM

Available in Galvanized (GV10) or Painted in all K-Rib and select colors.

ITEM NUMBER	PRODUCT DESCRIPTION	PACKAGING PER BDL.	WEIGHT PER PIECE
44790-	#2503 Eaves Trim – 10'	25 pcs.	2.75 lb.
44795-	#2503 Eaves Trim – 12'	25 pcs.	3.30 lb.
44630-	#2146 Fascia Trim w/ Hem – 10'	10 pcs.	4.88 lb.
44640-	#2146 Fascia Trim w/ Hem – 12'	10 pcs.	5.86 lb.

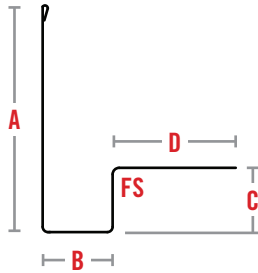


# METAL BUILDING TRIM PRODUCTS

## ► DOOR-JAMB TRIM WITH HEMMED EDGE

Available in Galvanized (GV10) or Painted in all K-Rib and select colors.

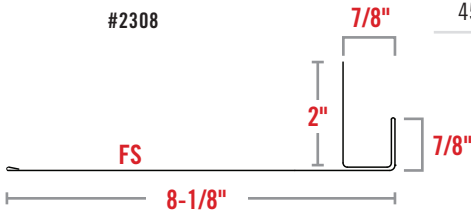
#245 #2091 #2980



### DIMENSIONS

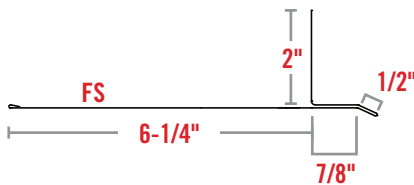
	A	B	C	D
#245	4"	1-5/8"	1-1/2"	2"
#2091	7-1/2"	1-5/8"	1-1/2"	2"
#2980	9"	1-5/8"	1-1/2"	2"
#2308	8-1/8"	7/8"	7/8"	2"

ITEM NUMBER	PRODUCT DESCRIPTION	PACKAGING PER BDL.	WEIGHT PER PIECE
45052-	#245 w/ Hem Door-Jamb Trim – 10' 4"	10 pcs.	5.05 lb.
45062-	#245 w/ Hem Door-Jamb Trim – 12' 4"	10 pcs.	6.04 lb.
45072-	#245 w/ Hem Door-Jamb Trim – 14' 4"	10 pcs.	7.03 lb.
45081-	#245 w/ Hem Door-Jamb Trim – 16' 4"	10 pcs.	7.98 lb.
45152-	#2091 w/ Hem Door-Jamb Trim – 10' 4"	10 pcs.	6.25 lb.
45162-	#2091 w/ Hem Door-Jamb Trim – 12' 4"	10 pcs.	7.48 lb.
45173-	#2091 w/ Hem Door-Jamb Trim – 14' 4"	10 pcs.	8.71 lb.
45176-	#2091 w/ Hem Door-Jamb Trim – 16' 4"	10 pcs.	9.88 lb.
45263-	#2980 w/ Hem Door-Jamb Trim – 10' 4"	10 pcs.	7.87 lb.
45273-	#2980 w/ Hem Door-Jamb Trim – 12' 4"	10 pcs.	9.42 lb.
45281-	#2980 w/ Hem Door-Jamb Trim – 14' 4"	10 pcs.	10.98 lb.
45282-	#2980 w/ Hem Door-Jamb Trim – 16' 4"	10 pcs.	12.44 lb.
45931-	#2308 w/ Hem K-Ribbed Door Jamb – 10' 4"	10 pcs.	19.14 lb.
45932-	#2308 w/ Hem K-Ribbed Door Jamb – 12' 4"	10 pcs.	22.96 lb.
45933-	#2308 w/ Hem K-Ribbed Door Jamb – 14' 4"	10 pcs.	26.54 lb.
45934-	#2308 w/ Hem K-Ribbed Door Jamb – 16' 4"	10 pcs.	30.61 lb.



## ► OVERHEAD DOOR TRIM

Available in Galvanized (GV10) or Painted in all K-Rib and select colors.

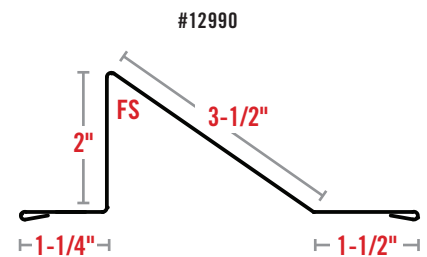
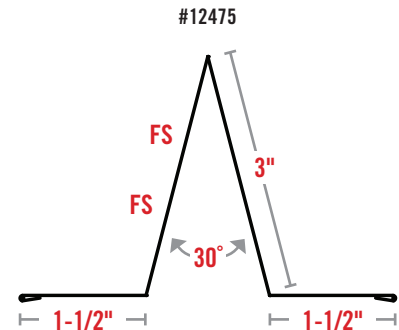
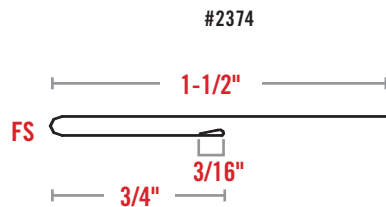


ITEM NUMBER	PRODUCT DESCRIPTION	PACKAGING PER BDL.	WEIGHT PER PIECE
87280-	#12478 Overhead Door Trim – 12' 4"	10 pcs.	22.62 lb.

## ► SPECIALTY TRIMS

Available in Galvanized (GV10) or Painted in all K-Rib and select colors.

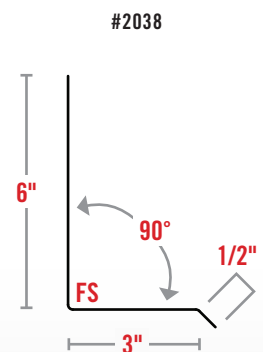
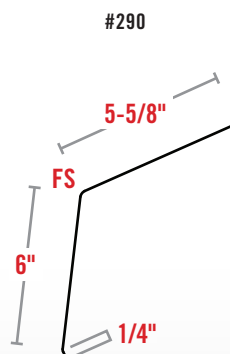
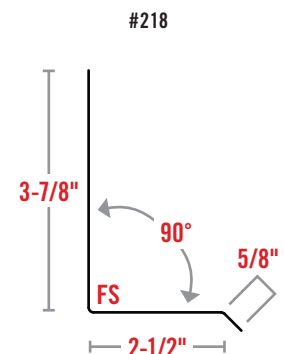
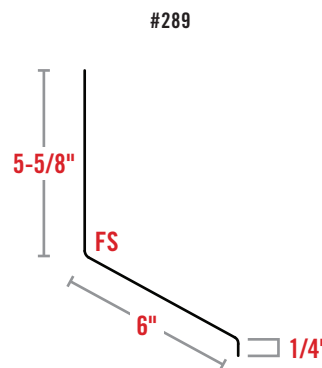
ITEM NUMBER	PRODUCT DESCRIPTION	PACKAGING PER BDL.	WEIGHT PER PIECE
86250-	#12475 Snow Cleat – 10'	10 pcs.	15.77 lb.
88160-	#12990 Snow Guard UT-14 – 10'	10 pcs.	16.41 lb.
86270-	#2374 Edge Protector – 10'	10 pcs.	6.07 lb.



## ► ENDWALL AND SIDEWALL FLASHING AND GAMBREL ROOF JOINT

Available in Galvanized (GV10) or Painted in all K-Rib and select colors.

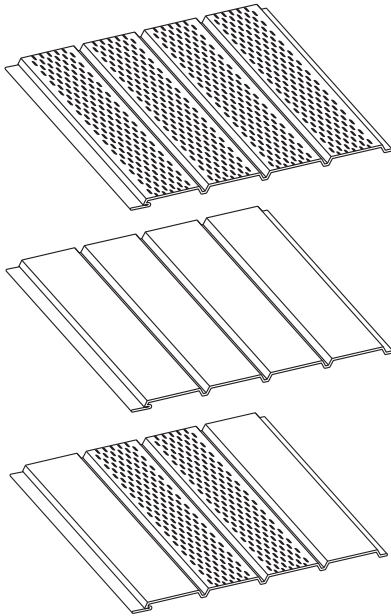
ITEM NUMBER	PRODUCT DESCRIPTION	PACKAGING PER BDL.	WEIGHT PER PIECE
46260-	#289 Endwall Flashing – 10'	10 pcs.	6.60 lb.
46261-	#289 Endwall Flashing – 12'	10 pcs.	7.92 lb.
46360-	#218 Sidewall Flashing – 10'	20 pcs.	3.58 lb.
46361-	#218 Sidewall Flashing – 12'	20 pcs.	4.30 lb.
46380-	#2038 Sidewall Flashing – 10'	20 pcs.	5.23 lb.
46280-	#290 Gambrel Roof Joint – 10'	20 pcs.	6.53 lb.



# METAL BUILDING TRIM PRODUCTS

## ▶ ALUMINUM SOFFIT

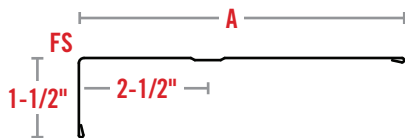
12', 11' 3/4", 15' 3/4" and 23' 3/4" aluminum soffit are available in all K-Rib colors.



ITEM NUMBER	PRODUCT DESCRIPTION	PACKAGING PER CTN.	WEIGHT PER PIECE
48332-	16WSS Aluminum 16" Solid Soffit – 11' 3/4"	12 pcs.	.36 lb.
48333-	16WSS Aluminum 16" Solid Soffit – 15' 3/4"	12 pcs.	.54 lb.
48335-	16WSS Aluminum 16" Solid Soffit – 23' 3/4"	12 pcs.	.73 lb.
48330-	16WSS Aluminum 16" Solid Soffit – 12'	12 pcs.	4.44 lb.
48342-	16WVS Aluminum 16" Full-Vent Soffit – 11' 3/4"	12 pcs.	.36 lb.
48343-	16WVS Aluminum 16" Full-Vent Soffit – 15' 3/4"	12 pcs.	.54 lb.
48345-	16WVS Aluminum 16" Full-Vent Soffit – 23' 3/4"	12 pcs.	.73 lb.
48340-	16WVS Aluminum 16" Full-Vent Soffit – 12'	12 pcs.	4.44 lb.
48352-	16CVS 16" Center-Vent Soffit – 11-3/4"	12 pcs.	.36 lb.
48353-	16CVS 16" Center-Vent Soffit – 15-3/4"	12 pcs.	.54 lb.
48355-	16CVS 16" Center-Vent Soffit – 23-3/4"	12 pcs.	.73 lb.
48350-	16CVS 16" Center-Vent Soffit – 12'	12 pcs.	4.44 lb.

## ▶ “K” RIBBED FASCIA TRIM AND DOOR-POST TRIM WITH HEMMED EDGES

Available in Galvanized (GV10) or Painted in all K-Rib and select colors.



ITEM NUMBER	PRODUCT DESCRIPTION	PACKAGING PER BDL.	WEIGHT PER PIECE
42790	#241 w/ 2 Hems Fascia Trim – 10'	20 pcs.	4.44 lb.
42910	#271 w/ 2 Hems Door-Post Trim – 10'	20 pcs.	5.38 lb.
43010	#273 w/ 2 Hems Door-Post Trim – 10'	20 pcs.	6.48 lb.

### DIMENSIONS

	A
#241	5-7/8"
#271	8"
#273	10"

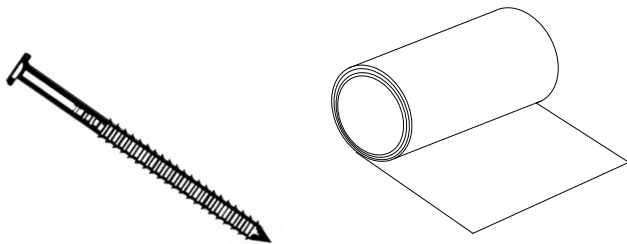
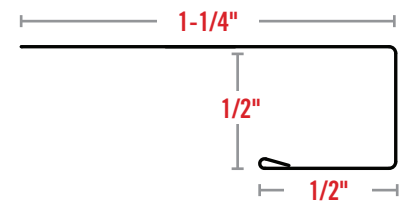
# METAL BUILDING TRIM PRODUCTS

## ► “J” CHANNEL – F AND F AND J TRIM FOR ALUMINUM SOFFIT

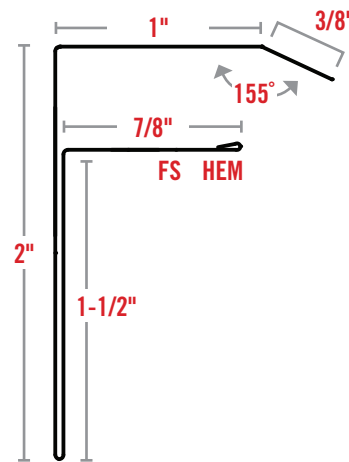
Trim available in Galvanized (GV10) or Painted in all K-Rib colors. Painted Trim Nails and Painted Aluminum Trim Coil available in all K-Rib colors.

ITEM NUMBER	PRODUCT DESCRIPTION	PACKAGING PER BDL.	WEIGHT PER PIECE
44160-	#2077 w/ Hem Steel 1/2" J Channel – 10'	10 pcs.	3.44 lb.
89270-	#3260 Steel F Channel Soffit Runner for Aluminum Soffit – 10'	10 pcs.	8.59 lb.
88440-	#3270 Steel F and J Trim for Aluminum Soffit – 10'	10 pcs.	10.43 lb.
30217-	18-1/2" Rolls Painted Aluminum Trim Coil Smooth – 50'	Each	18.50 lb.
48650-	1-1/4" Stainless-Steel Trim Nails (1-lb. box)	Ctn.	1.16 lb.

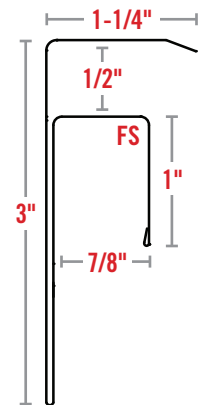
#2077



#3260



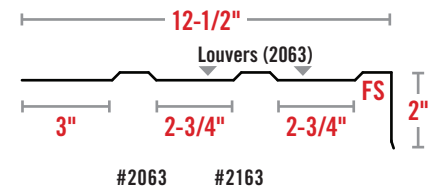
#3270



## ► LOUVERED AND NON-LOUVERED SOFFIT TRIM

Available in Painted – White (WH20), Brite White (WH23) or Cocoa Brown (BN50) only.

ITEM NUMBER	PRODUCT DESCRIPTION	PACKAGING PER BDL.	WEIGHT PER PIECE
46600-	#2063 12-1/2" Louvered Soffit Trim – 12' 1"	10 pcs.	10.87 lb.
46640-	#2163 12-1/2" Non-Louvered Soffit Trim – 12' 1"	10 pcs.	10.87 lb.

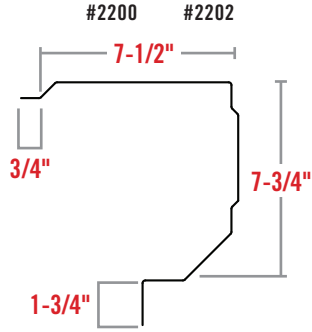


#2063 #2163

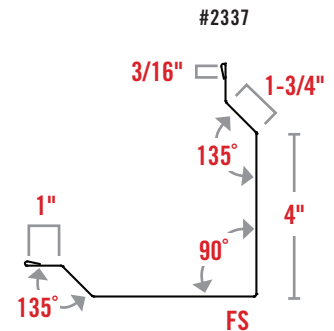
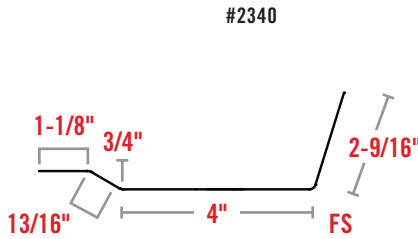
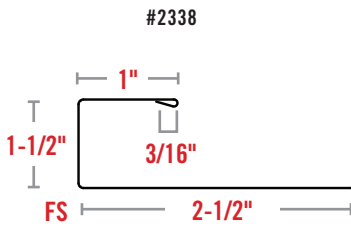
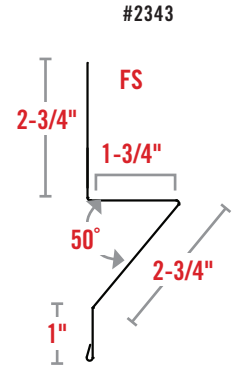
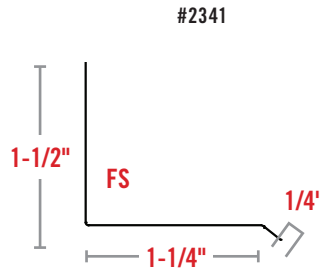
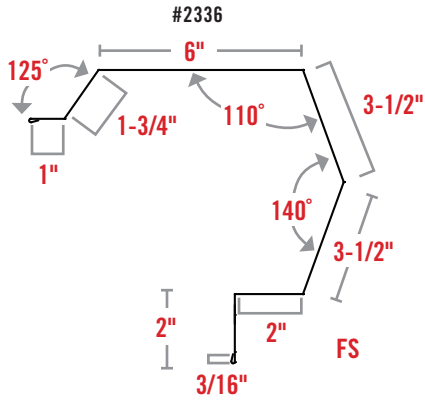
# METAL BUILDING TRIM PRODUCTS

## ► COMMERCIAL AND R-PANEL RAKE TRIM

Available in Galvanized (GV10) or Painted in all K-Rib and select colors.



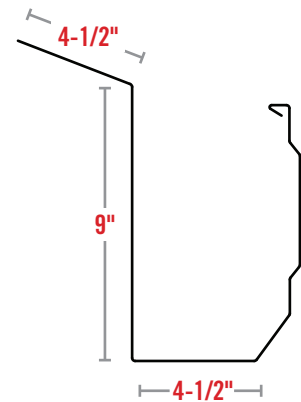
ITEM NUMBER	PRODUCT DESCRIPTION	PACKAGING PER BDL.	WEIGHT PER PIECE
<b>Commercial Rake Trim</b>			
46460-	#2200 Commercial Rake Trim – 10'	10 pcs.	12.50 lb.
46470-	#2202 Commercial Rake Trim – 12'	10 pcs.	15.00 lb.
<b>R-Panel Rake Trim</b>			
85890-	#2336 R-Panel Rake Trim – 10'	N/A	21.74 lb.
85900-	#2337 R-Panel Outside Corner Trim – 10'	N/A	15.88 lb.
85902-	#2337 R-Panel Outside Corner Trim – 12'	N/A	19.05 lb.
85904-	#2337 R-Panel Outside Corner Trim – 14'	N/A	22.22 lb.
85905-	#2337 R-Panel Outside Corner Trim – 16'	N/A	25.40 lb.
85910-	#2338 R-Panel Head Trim – 10'	N/A	5.87 lb.
85940-	#2341 R-Panel Window Drip Trim – 10'	N/A	4.79 lb.
85930-	#2340 R-Panel Fascia Trim – 10'	N/A	9.54 lb.
85960-	#2343 R-Panel Base Trim – 10'	N/A	9.95 lb.



## ► COMMERCIAL GUTTER AND END CAP

Available in Painted – White (WH20) or Cocoa Brown (BN50) only.

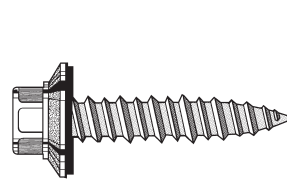
ITEM NUMBER	PRODUCT DESCRIPTION	PACKAGING PER BDL.	WEIGHT PER PIECE
46560-	#2201 Commercial Gutter – 10'	4 pcs.	16.20 lb.
46561-	#2201 Commercial Gutter – 12'	4 pcs.	19.44 lb.
46570-	Commercial Gutter End Cap RH	10 pcs.	.25 lb.
46580-	Commercial Gutter End Cap LH	10 pcs.	.25 lb.



## ► SCREWS, TOUCH-UP PAINT AND WATERPROOF PAPER

Available in Galvanized (GV10), Galvalume (GV90) or Painted K-Rib colors.

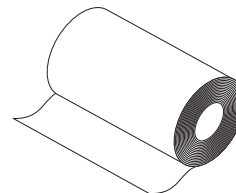
ITEM NUMBER	PRODUCT DESCRIPTION
90600-	K-Rib 1" Screws (500 per bag)
90601-	K-Rib 1-1/2" Screws (500 per bag)
90603-	K-Rib 2" Screws (500 per bag)
90604-	K-Rib 2-1/2" Screws (500 per bag)
90700-	K-Rib Touch-Up Paint (5 oz.)
90710-	K-Rib Reinforced Waterproof Paper (48" wide x 600' rolls)
48650-	Trim Nails 1-1/4" Stainless Ring Shank



Post-Frame Screws



Touch-Up Paint



Reinforced Waterproof Paper



1-1/4" Stainless-Steel Trim Nails

## ► CLOSURES

Available in K-Rib profiles.

ITEM NUMBER	PRODUCT DESCRIPTION
55210-	K-Rib Frontier Glued Inside Closures
55211-	K-Rib Frontier Glued Outside Closures
55220-	K-Rib Suburban Glued Inside Closures
55221-	K-Rib Suburban Glued Outside Closures
55230-	K-Rib R-Panel Glued Inside Closures
55231-	K-Rib R-Panel Glued Outside Closures
55232-	K-Rib Heartland Glued Outside Closures

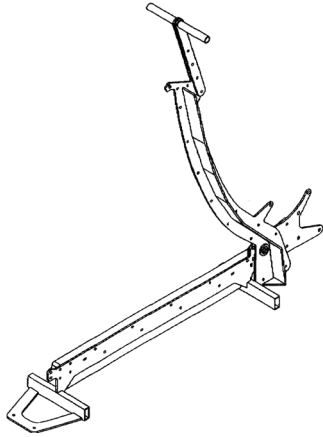




# METAL BUILDING TRIM PRODUCTS

## ► SHEARS AND BLADES

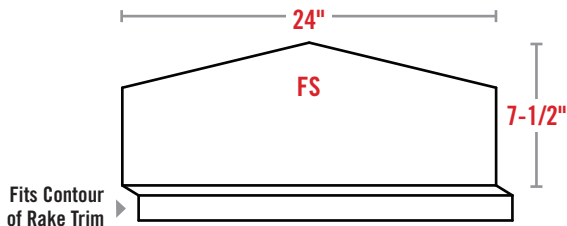
Available in all K-Rib profiles.



ITEM NUMBER	PRODUCT DESCRIPTION
91756-	Blades Only: Suburban 4:12
90756-	Blades Only: Frontier 4:12
91750-	K-Rib Heartland Straight Shear
90751-	K-Rib Frontier Straight Shear
90755-	K-Rib Frontier 4:12 Pitch Shear
91751-	K-Rib Suburban Straight Shear
91755-	K-Rib Suburban 4:12 Pitch Shear
90759-	K-Rib 1-1/4" Corrugated Straight Shear
90760-	K-Rib 2-1/2" Corrugated Straight Shear

## ► RIDGE END CAPS

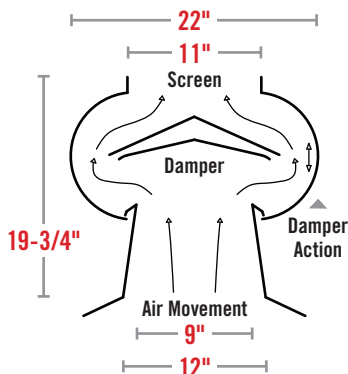
Available in Galvanized (GV10) or Painted in all K-Rib and select colors.



ITEM NUMBER	PRODUCT DESCRIPTION	PACKAGING PER BDL.	WEIGHT PER PIECE
46680-	#261-3 (3/12 Pitch) Ridge End Caps	25 pcs.	1.30 lb.
46690-	#261-4 (4/12 Pitch) Ridge End Caps	25 pcs.	1.30 lb.

## ► RIDGOLATOR RIDGE VENTILATOR

Available in 26 Gauge Galvanized or Painted – White (WH20) or Cocoa Brown (BN50) only.



432 Sq. In. Free Air Space – 4'  
 1,080 Sq. In. Free Air Space – 10'  
 Manufactured to a 4:12 pitch;  
 adjusts from 2:12 to 5:12

ITEM NUMBER	PRODUCT DESCRIPTION	PACKAGING PER CTN.	WEIGHT PER PIECE
50412-	9" Ridgulator – 4' (minimum order – 1)	1 pc.	43.00 lb.
50410-	9" Ridgulator with Damper – 4' (minimum order – 1)	1 pc.	56.00 lb.
50420-	9" Ridgulator – 10' (minimum order – 10)	1 pc.	95.00 lb.
50430-	9" Ridgulator with Damper – 10' (minimum order – 10)	1 pc.	115.00 lb.
50440-	Continuous-Run Flashings for 9" Ridgulators	1 pc.	1.01 lb.