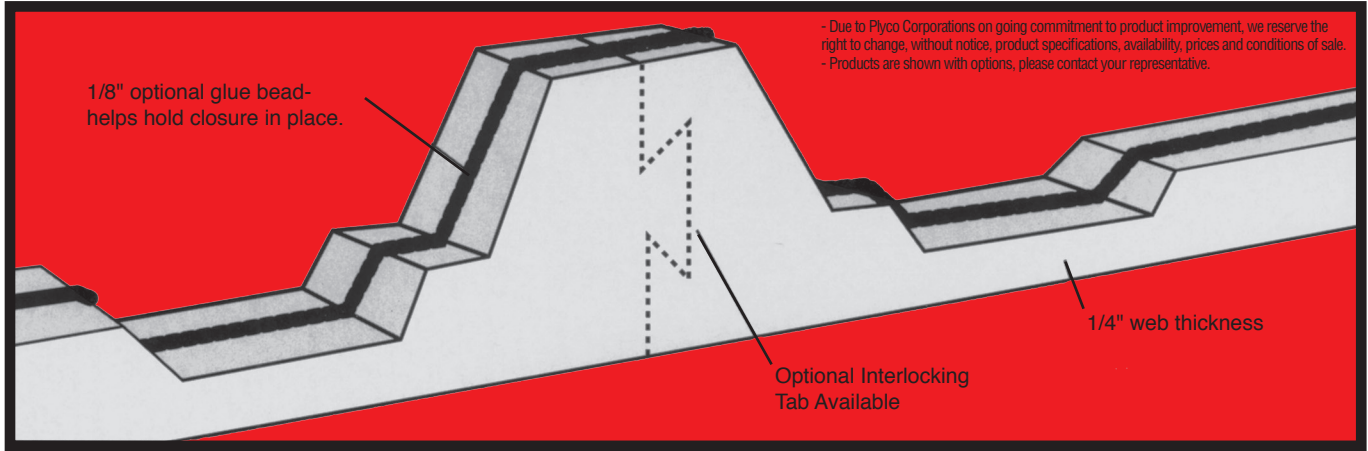
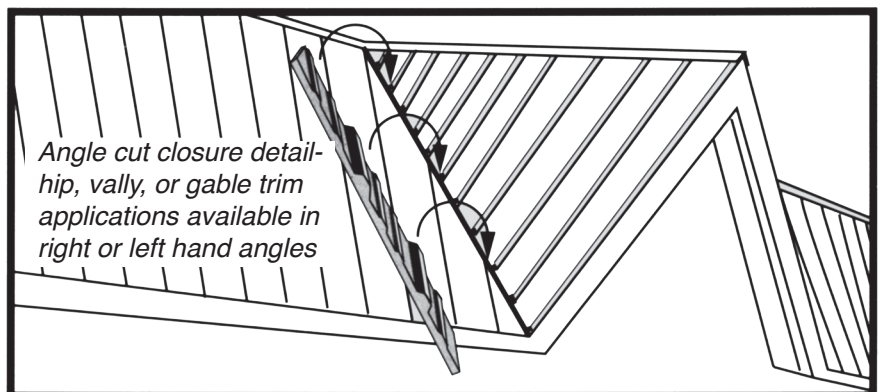
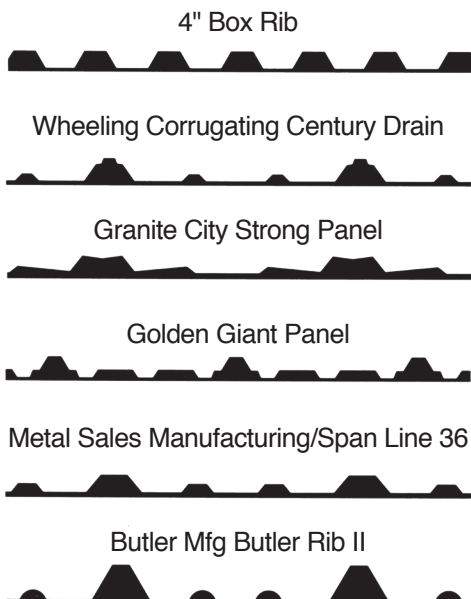
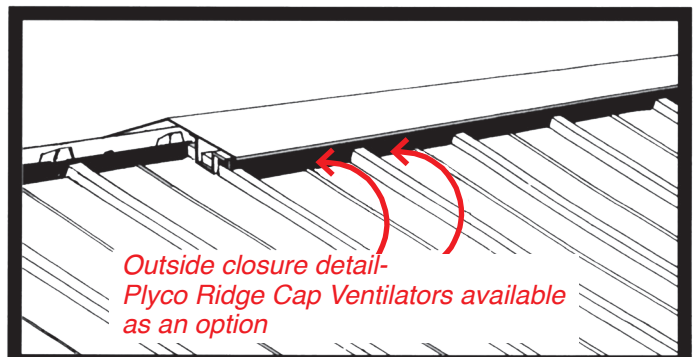
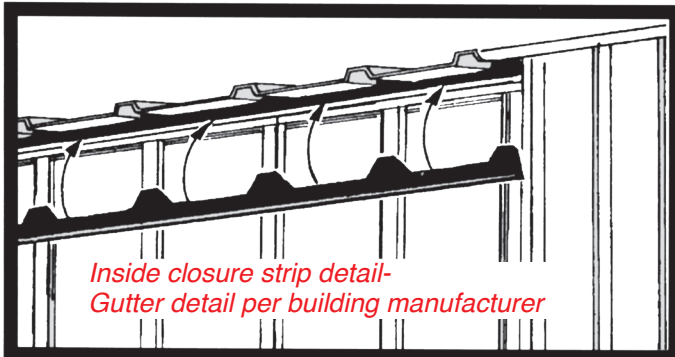


Closure Strips Die-Cut to Exact Panel Configurations to Close Openings in Wall & Roof Panels



- 2.0 lbs./cubic foot density polyethylene foam.
- Closed-cell (dense) cross-linked material. Helps to keep water absorption rate very low.
- Has very good strength and memory (ability to return to original form after being in compression).
- Shrinkage rate is less than EPDM rubber, but life expectancy is greater.
- Available in 1" and 2" thickness, and in white and gray colors.
- Angle cut closure available in 1 1/2" thickness only.
- Available in hundreds of panel configurations with or without optional adhesive strip. Helps hold closure strip in place while metal is fastened to the structure.
- Excellent for use as plug in standing seam roofs.
- Interlocking tabs available as an optional feature.



CI - 7 SPECIFICATIONS			
Color:	Gray/White	Thermal Conductivity: (K Factor)	.247
Density (lbs/ft 3):	1.9+/- .25	Minimum Cold Crack:	-100°F
25% Compression Deflection:	7.8 psi	Maximum Temp. (Continuous):	+212°F
Compression Set 50% Compression:	12%	Tensile Strength:	50 psi
Linear Shrinkage:	-1.9%	Elongation:	180%
Flammability:	MVSS 302/Pass	Ozone Resistance:	Very Good
Water Absorption: (Cut surface)	0.05 lbs/ft² Max	Approximate Life Expectancy:	18 - 25 years