



Installation Guidelines .....	2
Tools Required.....	2
Installation Preparation .....	4
Working with TimberTech AZEK Deck Boards.....	4
Cortex® Hidden Fasteners .....	7
CONCEALoc® Hidden Fasteners.....	9
Stair Code Compliance .....	13
Trimming an TimberTech AZEK Deck .....	14
Care and Cleaning .....	15

TimberTech AZEK® Decking & Rim Joist Covers should be installed using the same good building principals used to install wood or composite decking and in accordance with the local building codes and the installation guidelines included below. AZEK® Building Products Inc. accepts no liability or responsibility for the improper installation of this product. TimberTech AZEK Decking & Rim Joist Covers may not be suitable for every application and it is the sole responsibility of the installer to be sure that TimberTech AZEK Decking & Rim Joist Covers is fit for the intended use. Since all installations are unique, it is also the installer's responsibility to determine specific requirements for each Deck application. AZEK Building Products recommends that all applications be reviewed by a licensed architect, engineer or local building official before installation. To get more information visit [TimberTech.com](http://TimberTech.com).

## Tools Required

TimberTech AZEK Decking & Rim Joist Covers can be installed with a minimum number of readily available tools. Many other tools are available that can be used for installation. All tools should be used per applicable manufacturers' instructions.

Some of the basic tool requirements:

- Cordless Driver
- Chalk Line
- Tape Measure
- Jig Saw
- Carpenter Square
- Spacing Tools
- Miter Saw
- Safety Glasses

Use the jigsaw to cut around obstructions such as posts. For best results a miter saw with a fine-toothed, carbide-tipped finish trim blade (12"-60 tooth minimum) works well for cutting. For a power miter or compound power miter saw a fine finish alternate top bevel blade is also recommended. When working with AZEK products be sure to wear proper clothing and safety equipment. Safety glasses should be used during the entire installation process. Do not use any cordless saws.

## **STOP! Read this section before you start!**

Always make sure to visit [TimberTech.com](http://TimberTech.com) to ensure you are viewing the most current installation instructions, care and cleaning, technical information and more.

### TimberTech AZEK Decking

AZEK does not recommend the use of rubber or vinyl products (welcome mats, planters, etc.) on deck boards. A reaction can occur that causes discoloration of the decking under the rubber/vinyl product. This is a common caution for polymer decking products.

Do NOT nail AZEK Deck boards.

Cutting or drilling metal should not be done on AZEK Deck boards as metal shavings may come hot and embed themselves into the deck boards.

Always be sure to check and cut the factory cut ends of boards to ensure they are square.

### Walking Surface

AZEK deck boards need to be installed embossed side up.

### Static Electricity

The buildup or generation of static electricity is a naturally occurring phenomenon in many plastic based products such as carpeting, upholstery, and clothing, and can occur on alternative decking under certain environmental conditions. Static electricity is not a defect and can occur naturally.

### Cantilevering

For best results, don't cantilever over 1/2".

### Routing

AZEK Deck/Rim Joist Covers should not be routed with the exception of the start/stop boards (see page 6 step 8).

### Color and Grain Patterns

AZEK Deck is designed to mimic the look of real wood, and like real wood, there will be a slight difference in color and grain pattern from board to board. This is intentional and part of the manufacturing process, giving AZEK Deck the most realistic and wood-like appearance possible. This variation is purely aesthetic and does not or will not affect the performance of the product.

### Color and Temperature

Although AZEK Deck products are cooler to the touch than many other deck board products in similar colors, all decking products will get hot in the sun. Additionally, the darker the decking color, the hotter it will feel.

### Roof Tops

In areas with obstructed airflow such as roofs and on-grade applications, a minimum of 1-1/2" sleeper system supported by and connected to the substructure over which the deck is built is required.

## **STOP! Read this section before you start! (continued)**

Always make sure to visit [TimberTech.com](http://TimberTech.com) to ensure you are viewing the most current installation instructions, care and cleaning, technical information and more.

DO NOT attach deck boards to a floating sub-structure which is not mechanically fastened frequently and sufficiently to the building and roof deck.

### **Note**

AZEK Deck is NOT intended for use as columns, support posts, beams, joist stringers, guard railing or other primary load-bearing members. AZEK must be supported by a code-compliant substructure. While AZEK products are great for deck re-planking (removing old deck surface boards and installing AZEK on code-compliant substructure), AZEK Deck Boards CANNOT be installed on top of an existing deck.

**Failure to install TimberTech AZEK Decking products in accordance with applicable building codes and this Installation Guide may lead to personal injury, affect deck system performance and void the product warranty.**

## **Roof Top Decks**

When considering AZEK® Deck in a roof top application, it is imperative that the framing/sub-structure to which the decking will be attached is securely attached to the building or roof deck using suitable mechanical fasteners. Do not use adhesives to attach framing to the building or roof surface, and NEVER ATTACH DECK BOARDS TO A FLOATING FRAME/SUB-STRUCTURE. Frequently check tops of sub-structure framing members to ensure that they are in plane, as AZEK® Decking will conform to the contour of the framing members to which it is attached. It may be necessary to shim or plane framing members due to thickness variations in lumber, or variations in the surface to which the framing/sub-structure is attached. Securely attaching rigid blocking between framing members

at frequent intervals should also be incorporated to help limit sub-structure movement. Proper drainage and air flow should also be considered, with a minimum of 1 1/2" sleeper height necessary and deck boards must be attached to the properly secured sub-structure with a minimum of a 1/8" gap between deck boards. It is the installer's responsibility to determine if AZEK® Deck is suitable for a specific roof top application. The AZEK Company recommends that all applications be reviewed by a licensed architect, engineer, or local building official before installation. If you have any questions or need further assistance, please call AZEK Customer Service at 1-877-275-2935 or visit our website at [www.azek.com](http://www.azek.com).

## **Extreme Heat Warning**

Be aware of excessive heat on the surface of AZEK products from external sources, such as but not limited to, fire or reflection of sunlight from energy-efficient window products. Low-emissivity (Low-E) glass can potentially harm AZEK products. Low-E glass is designed to prevent passive heat gain within a structure and can cause unusual heat build-up on exterior surfaces. This extreme elevation of surface temperatures, which exceeds that of normal exposure, can possibly cause AZEK products to melt, sag, warp, discolor, increase expansion/contraction, and accelerate weathering.

Current or potential AZEK customers that have concerns about possible damage by Low-E glass should contact the manufacturer of the product which contains Low-E glass for a solution to reduce or eliminate the effects of reflected sunlight.

## **Metamerism**

Metamerism is the phenomenon wherein two colored samples will appear to be of the same shade under one light source but will appear to be different shades under a second source. When installing AZEK deck boards at different angles, metamerism may make the boards installed at one angle appear to be of a different shade than the deck boards installed at the other angle, depending on the lighting and the angle which the deck is viewed. This is a natural phenomenon, not a defect, and can occur even when the deck boards are cut from the same boards or come from the same unit. Metamerism is an aesthetic issue and not a performance or product warranty issue.

## Excessive Construction Debris

It is important during construction, the deck's surface stay clear from excessive build-up of dirt, sand, and dust from tile, concrete, landscape blocks, or any other masonry products. If these materials are not removed immediately, the deck surface will become difficult to clean and can potentially damage the deck's surface finish.

Do not use AZEK Deck as a work surface.

When installing AZEK Deck on a new home, best practice is to install after all other construction (siding, roofing, painting, etc.) is completed, otherwise permanent damage may occur.

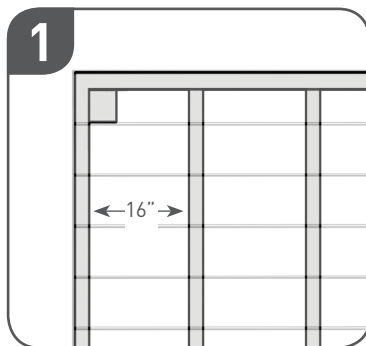
If a build-up does occur please refer to the Care and Cleaning section in AZEK's installation guide or website, AZEK.com.

**IMPORTANT:** Do not allow airborne dust from concrete, landscape blocks, or any masonry product to accumulate on the AZEK Deck, Porch, Rim Joist Covers, & Riser surface as it may damage the surface of the deck. Do not cut any product on or near AZEK Deck, Porch, & Rim Joist Covers.

## Installation Preparation

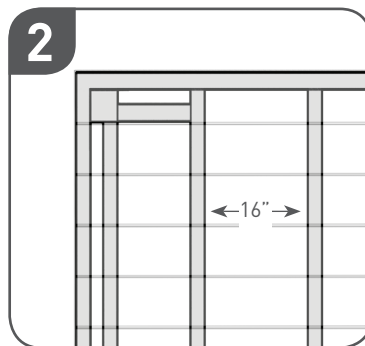
Follow these guidelines for best deck installation:

- AZEK Deck Boards are one-sided products. Deck Boards are to be installed with the grain side up for the walking surface.
- AZEK Rim Joists Covers are one-sided. Rim Joist Covers are to be installed grain side out.
- As joists are installed, run string line frequently to ensure that the tops of the joists are in plane, as AZEK Decking will conform to the contour of the joists to which it is attached. It may be necessary to shim or plane joists due to size variations in lumber. Be sure to sort and exclude any extremely crowned joists/lumber material.
- Prior to installation, check to make sure all joists are level, structurally sound, and there are no nails or screws protruding.
- Proper joist spacing is required for proper installation. Joist spacing should never exceed 16" on center. For a more rigid feel, 12" may be preferred.
- Install solid wood blocking between each joist, placed in rows at maximum every 4' - 6' within the structure using exterior grade screws. Solid blocking will help reduce up or down movement and/or twisting of joists. Limiting joist movement can help reduce excessive gapping and also ensure a more uniform finished surface of the AZEK Deck.



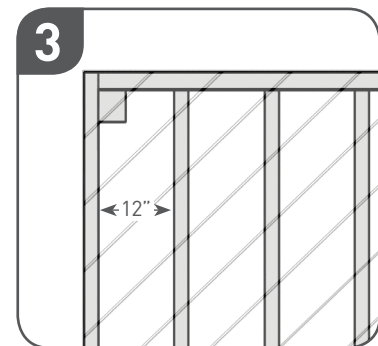
### 16" BASIC INSTALLATION SUBSTRUCTURE

16" on center maximum joists.  
 (12" on center for commercial applications)



### PICTURE FRAME INSTALLATION SUBSTRUCTURE

16" on center maximum joists plus additional support for picture frame structure (12" on center for commercial applications)



### DIAGONAL INSTALLATION SUBSTRUCTURE

12" on center maximum joists.  
 More severe angles may require closer joist spacing.

## Expansion and Contraction

AZEK Deck/Rim Joist Covers will have expansion and contraction with changes in temperature, unlike wood whose size will fluctuate with moisture changes. The expansion and contraction encountered may result in slight gaps, which might be noticed at the ends of boards or in splice joints. Fastening the deck boards according to the Installation Guidelines will help minimize expansion and contraction.

- Expansion/contraction is most significant where extreme temperature change may exist.
- Best practice is to cut and fasten the deck boards as soon after cutting as possible.
- For better results keep decking as cool as possible during attachment. Direct full sun exposure will increase board temperature and length. If attaching during high heat, larger gapping can be expected. Be sure to keep butt joints tight. **Do not leave a gap at butt joints, splices or miters.**
- Be sure to fasten ends of boards, splices, or abutments to building or structure securely into framing using 2 screws. Position the screws at or within 1/2" of each board end or joint and 3/4" from side of deck plank.
- For butt joints, be sure to trim cut factory ends to ensure squareness. Do not scarf cut butt joints.



- Provide a 1/8" to 1/4" side to side gap between deck boards.
- In areas with obstructed airflow such as roofs and on-grade applications, a minimum of 1-1/2" sleeper system supported by and connected to the substructure over which the deck is built is required.
- Framing/sub-structure must be securely attached to ground footings or building structure. No floating sub-structures should be used in any application with AZEK Deck, including on grade, concrete, or in roof top applications.
- For best results, stagger splices and miters across deck surface so that all splices and miters do not break on the same joist or beam.
- To further minimize expansion and contraction, proper ventilation and air flow should be considered.
- Some area building codes may require double joisting when joining boards end to end. Double joist and/or secure double blocking is always required at butt joints when using Concealoc or FusionLoc fasteners. Always check with your local code authority for specific requirements before installation.
- During installation, frequently check that AZEK Deck boards are installed straight and with consistent gapping and spacing by using a string line.

## Fasteners

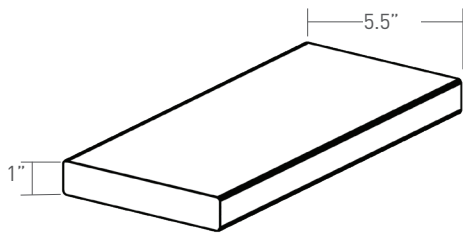
- Due to the durability of AZEK deck products, a high-quality fastener is recommended that meets the following specifications:
  - Stainless Steel
  - Minimum Screw Size: #7
  - Face screws to be a minimum length of 2 1/4"
- Be sure that screws are driven to a minimum depth of 1 1/4" into solid wood framing below the bottom of the AZEK Deck Board. This will enhance holding power and uplift resistance.
- Avoid using flathead screws. Trim head screws typically provide a better result. As always, you should try the fastener in a sample board before using on your deck.
- Be sure to install 2 screws per joist on each deck board. regardless of temperature during attachment of AZEK deck boards, be sure to keep butt joints and miters tight and place fasteners within 1/2" of ends.
- For salt water coastal applications, we suggest using the above minimum fastener requirements in 316 stainless steel.



- AZEK TopLoc color match stainless steel deck screws are also available. Your AZEK Building Products dealer can assist with more information on these products.
- AZEK does not recommend any fastener that is not explicitly stated in the AZEK Decking and Installation Guide. Use of any alternative fastener does not void the AZEK warranty; however, if a decking failure is caused by using one of these alternative fastening methods, any corresponding claims will be denied.
- Many of these fasteners have either not been tested, or directly affect the performance of AZEK products. As such, AZEK is not comfortable recommending them.
- Hidden Fasteners: for Square Shouldered Profiles in Harvest, Arbor, and Vintage Collections
  - Cortex®, HIDfast™, and CAMO™ fasteners are some hidden fastener systems commonly used by contractors installing AZEK Deck. Before using other types of hidden fasteners, check with the manufacturer of the fastener and/or AZEK customer service to ensure compatibility.
- **WARNING:** When installing AZEK Deck with hidden fasteners, always use a beater board against side of deck board. Do not strike deck board directly with hammer or rubber mallet or damage to the deck plank may occur..

\*Cortex is a registered trademark of Handy & Harman Corporation. HIDfast is a trademark of HIDfast. CAMO is a trademark of National Nail Corporation.

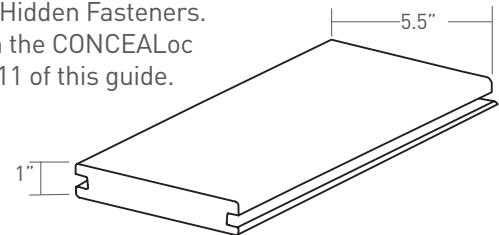
## Square Shouldered Deck Boards



AZEK: Harvest, Arbor, & Vintage

## Grooved Deck Boards

Use AZEK CONCEALoc Hidden Fasteners. Follow the directions on the CONCEALoc bucket, box or pages 8-11 of this guide.



AZEK: Grooved Decking

DECK PRODUCTS	SQUARE SHOULDERED LENGTHS			GROOVED LENGTHS			FASCIA 1/2" x 1 1/4"
All Deck Boards 1" x 5 1/2"	12'	16'	20'	12'	16'	20'	12'
<b>HARVEST COLLECTION</b> Kona®	★	★	★				★
<b>HARVEST COLLECTION</b> Brownstone, Slate Gray	★	★	★	★	★	★	★
<b>ARBOR COLLECTION</b> Silver Oak®, Hazelwood®, Acacia®, Morado®, Brazilian Walnut, Mountain Redwood®, Island Oak™, Autumn Chestnut®		★	★	★	★	★	★
<b>VINTAGE COLLECTION</b> Dark Hickory, Cypress®, Mahogany, Coastline®, English Walnut™, Weathered Teak™		★	★	★	★	★	★

## Cortex® Hidden Fastening System Installation Instructions

### Suggested Drills

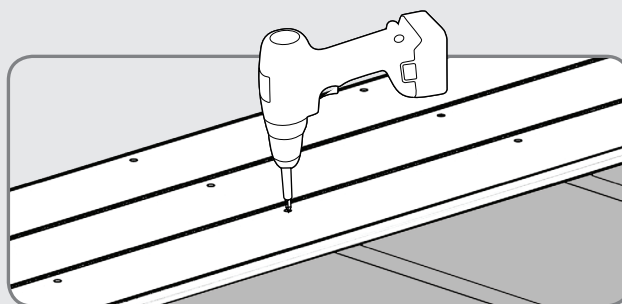
Corded or cordless (18V battery) drill with 1/2" chuck.



**1**

### DRIVE SCREW

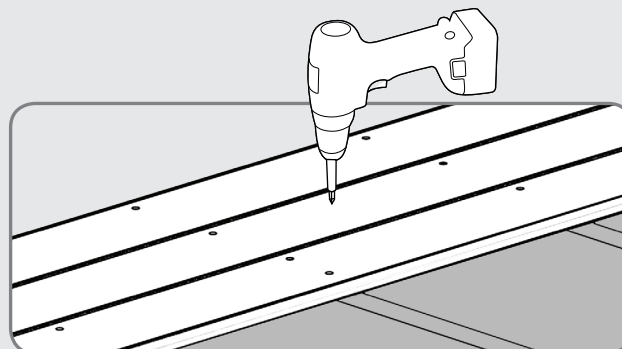
- Using Setting Tool provided, drive screw at medium or high speed until it disengages at the proper level below the deck surface.
- Drive at one continuous speed, do not slow down or toggle the drill trigger in a start/stop manner.



**2**

### INSTALL DECK SCREWS INTO JOISTS

- Install two screws into decking at each joist.
- Maximum spacing between each row of screws should be 16" on center.
- Reference Page 5 for proper fastener placement.

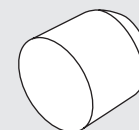
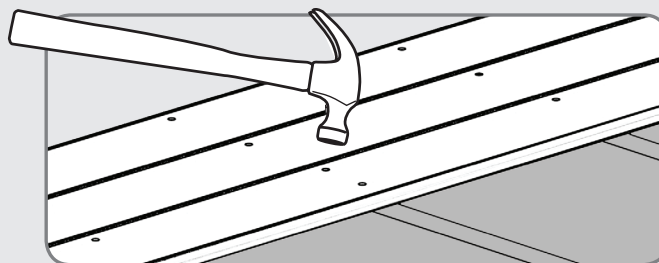


**3**

### INSTALL PLUG

- Place plug into cored hole and gently tap flush with deck surface.
- Always use a smooth faced hammer to avoid damaging the deck surface while setting the Cortex plug.

**IMPORTANT-** when installing Cortex plugs use caution to prevent damage to the AZEK deck surface.



### Important Information

- The Cortex Setting Tool must be used to set the Cortex screw to the proper depth.
- The Cortex fastener must be driven perpendicular to the deck surface for proper fit and ideal finished look.
- The cored hole must be free of debris or moisture. Use a smooth plastic hammer head to set the Cortex plug.
- The interaction between the deck board, screw, and plug is essential. Use of non-Cortex Screws or non-Cortex plugs will nullify the warranty.

#### **End and Edge Distance Minimums**

- Pre-drilling is required when installing Cortex fasteners less than 1" from the end and 1" from the edge of a AZEK deck board.
- Pre-drilling is also required at butt joints. Common building practices dictate that you "sister" an additional joist at your butt seam connections.
- Pre-drilling should be done with a 5/32" drill bit to create the proper pilot hole.

#### **Restricted Cortex Uses**

The AZEK Cortex System is designed for traditional elevated deck surfaces. The following applications require a different fastening method:

- Sleeper systems: Framing rests directly on the ground or roof deck.
- For attaching fascia boards: AZEK Cortex should not be used.
- Docks or decks with framing members in constant contact with saltwater.



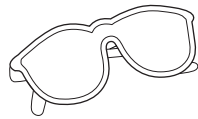
## CONCEALoc® Hidden Fasteners for use with TimberTech AZEK Deck Boards

### CONCEALoc & Accessory Installation Instructions

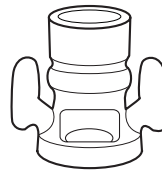
- CONCEALoc Hidden Fasteners – retail box for 100-square-foot coverage or bulk bucket for 1,000-square-foot coverage. Includes stainless steel screws.
- CONCEALoc Gun Pail – 500-square-foot coverage for use with the fastener installation gun sold separately by TigerClaw. Includes quality coated pneumatic fasteners. Stainless steel fasteners for coastal applications available through TigerClaw.
- L-Bracket – avoid face-screwing by using the L-Bracket on first and last boards or as a butt seam clip to ensure a fastener-free surface.
- CONCEALoc Router Bit – cut the correct groove dimension on a solid plank for a perfect CONCEALoc fastener fit even allows for cutting an installed plank over a joist.

### CONCEALoc® Hidden Fasteners Installation Instructions

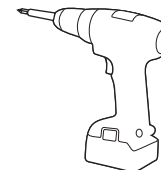
#### Tools Needed



Safety Glasses

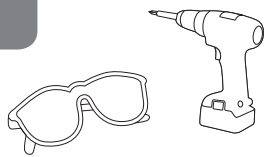


Router with Slot Cutting Blade (Optional)



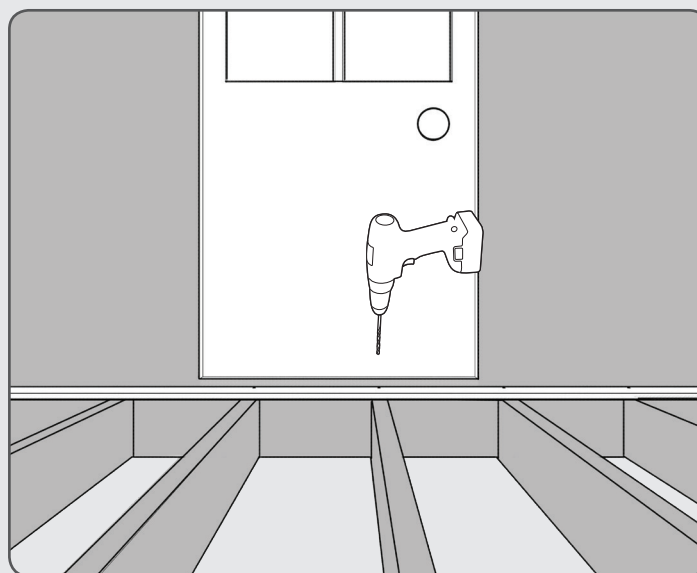
Drill

1



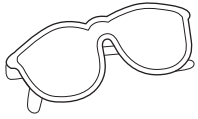
#### INSTALL THE FIRST PLANK

- Fasten outer edge of the first plank at each framing support 1" from the edge using #7- 2 1/4" deck screws. For a complete fastener-free surface, the L-Bracket or Cortex can be used on first and last boards.
- For further CONCEALoc L-Bracket or Cortex installation help please refer to the installation guide found in the retail packages.



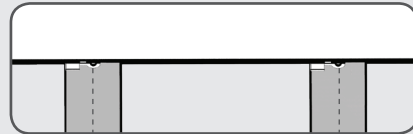
## CONCEALoc® Hidden Fasteners Installation Instructions

2

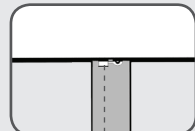


### POSITION CONCEALOC FASTENERS

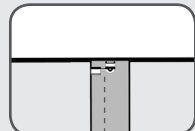
- Fully insert the CONCEALoc fastener into grooved edge of plank. Screw hole should be lined up with the center of support joist.



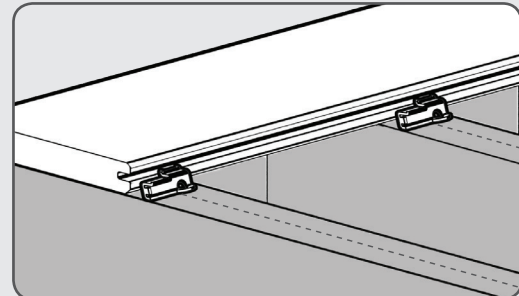
Correct



✗ Incorrect

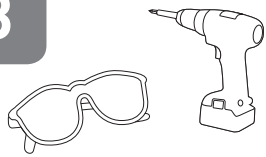


✗ Incorrect

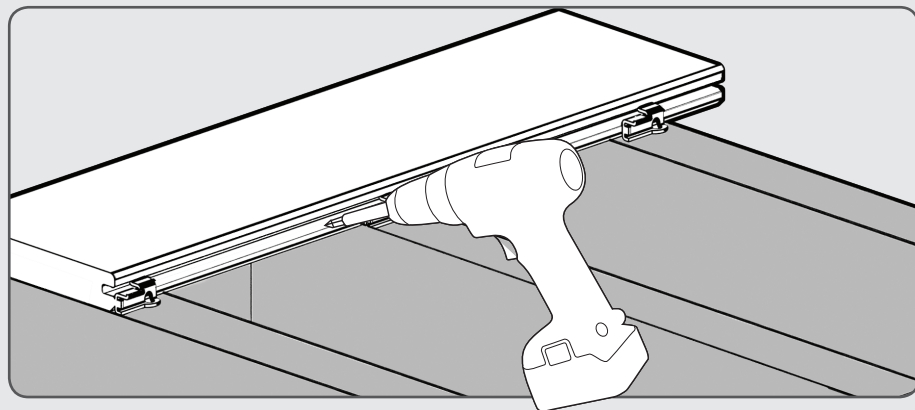


Correct

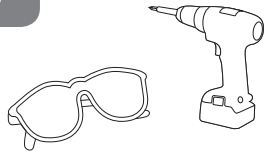
3



- Install provided screw at 45° angle through the fastener and into the joist while applying pressure on the fastener.
- Install one fastener and screw at each joist.
- Make sure fastener is in full contact with edge of plank and the screw is holding the fastener down tight to the deck board.

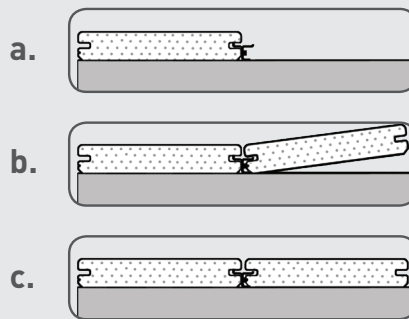


4

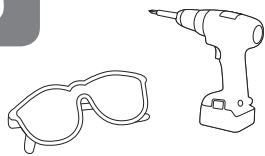


**COMPLETE INSTALLATION**

- Place the next plank into position against the fasteners. Slightly raise the outer edge of the plank being installed and slide it onto the fastener until the plank contacts the spacer tab. When properly installed the inserted plank should be in contact with the bent-forward spacer tab at the left end of the clip. To achieve this use a scrap piece of decking at least 24" in length and use it as a tamping block to drive the plank further onto the clip and the screw will fully engage the plank to the spacer tab if not already in contact.
- **Do not use a hammer or damage to the edge of the plank may occur.**

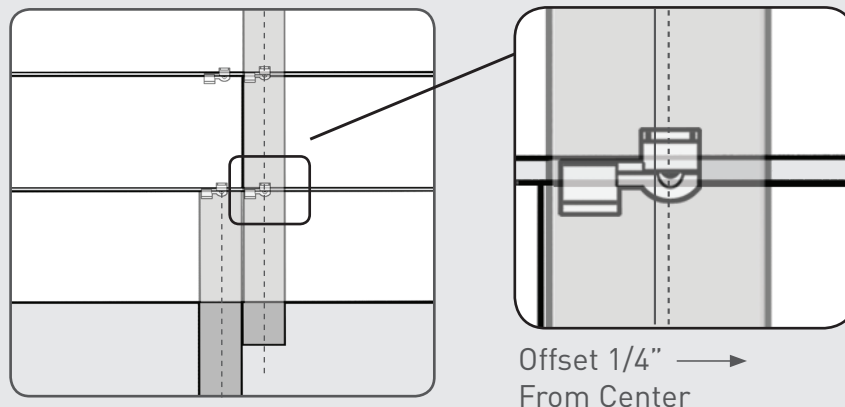


5

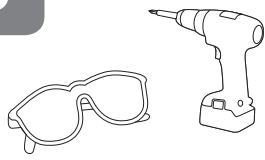


**HOW TO INSTALL AT BUTT JOINTS  
(UNLESS USING AZEK L-BRACKET)**

- Joists at butt joints must be doubled up for proper fastener attachment.
- Install fasteners as detailed below. Note that the two clips on the right are shifted approximately 1/4" to the right of center on the joists. If this is not done the spacer tab may fall within the gap of the butt joint.
- To help minimize possible gapping at butt joints, consider installing Cortex screws within 1/2" of board ends as well as 2 per joist at two to three joists from butt ends in either direction.

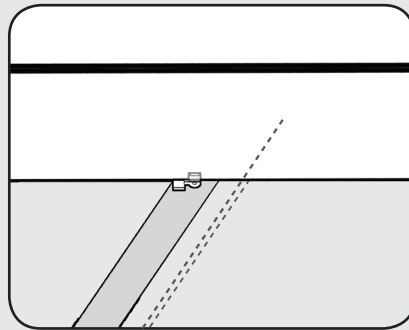


6

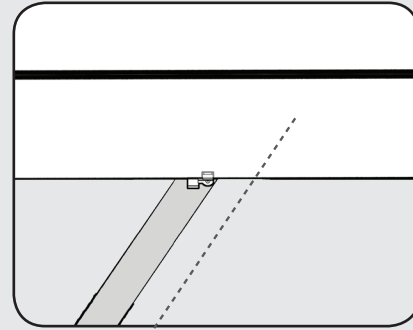


**HOW TO INSTALL ON DIAGONAL**

- When the deck is located in a corner of the house, start with small triangular piece of decking in the corner and work your way out.
- Offset the clip 1/2" to the right of center line of the joist, so screw will not exit the side of the joist when driven.

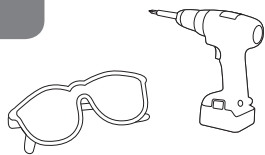


✗ Incorrect



Correct: Shift over 1/2"

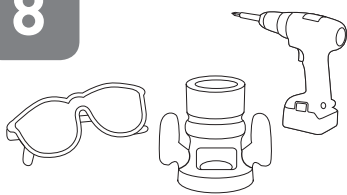
7



**HOW TO REPLACE A PLANK**

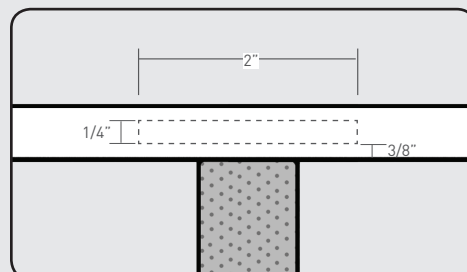
- Make two parallel cuts down the center of the board to be replaced, then remove the center piece.
- Using a small pry bar, remove the remaining pieces of decking from the tabs.
- Using a reciprocating saw, remove the tabs on the side of the board with the screw heads showing.
- Position new board into place, and drive onto remaining tabs.
- Once the board is set into position, secure the loose edges with L-Bracket, Cortex, stainless steel, or high-quality coated deck screws.

8



**TO USE CONCEALoc® HIDDEN FASTENERS WITH AZEK SOLID DECK BOARDS**

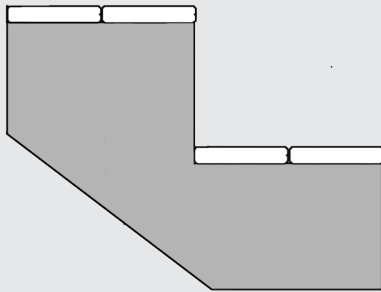
- Create a 2" long groove on the edge of the plank at every joist.
- Use AZEK's CONCEALoc Groove Cutting Router Bit or a Freud model #56-112 or Bosch model #85610M 1/4" slot cutting bit.
- Flip the plank over and start the groove 3/8" off the bottom of the plank.
- Set the depth of the cut from 7/16" to 1/2" deep.



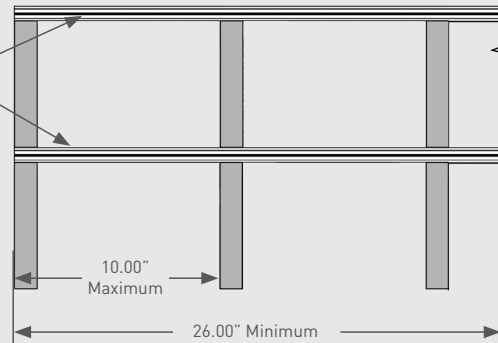
**⚠ Do not use CONCEALoc® Hidden Fasteners or L-Brackets for stair installation.**

## 1

In order to meet the AC174 Requirement for stair loading, follow one of the methods below:

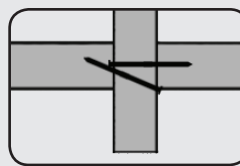
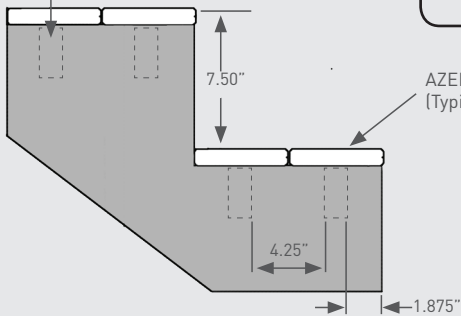


AZEK 1x6 Decking attached to Stringers using (2) #7 x 2 1/4" Screws



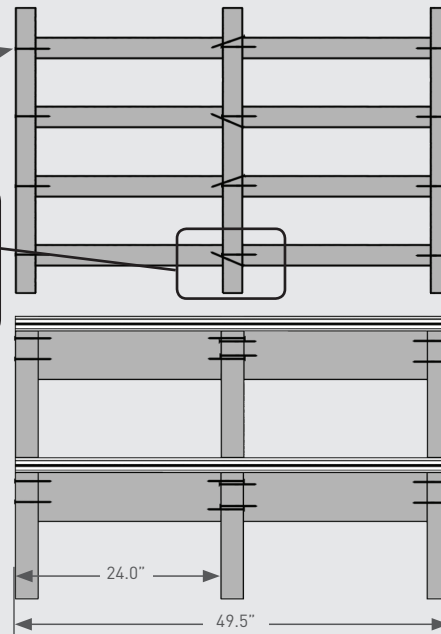
## 2

Attach 2 x 4 treated pine centered under treads using pneumatic framing nailer. Nail positions as shown.

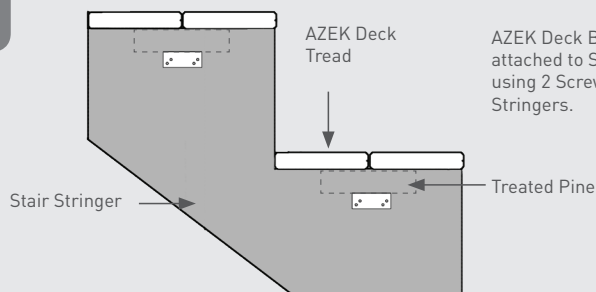


3 1/4" x .0131 roundrive framing nail in locations shown using pneumatic nailer.

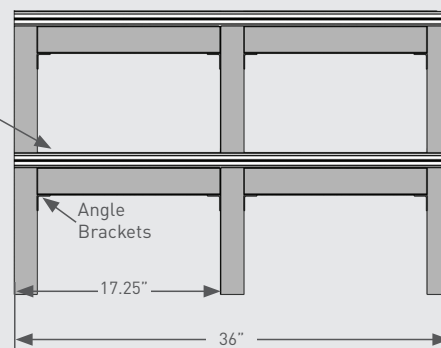
AZEK Deck Board (Typical)



## 3



AZEK Deck Board attached to Stringers using 2 Screws/ Stringers.



### Installing Stairs

- Stairs should be constructed per local code requirements.
- Use AZEK ripped Rim Joist Covers for riser installation.

## TimberTech AZEK Deck Rim Joist Covers

12' lengths – 1/2" thick by 11.7" wide

### Harvest Collection®

- Brownstone, Slate Gray, Kona®

### Arbor Collection®

- Acacia®, Morado®, Hazelwood®, Silver Oak®, Mountain Redwood®, Brazilian Walnut, Island Oak™, Autumn Chestnut®

### Vintage Collection®

- Coastline®, English Walnut™, Weathered Teak™, Mahogany, Dark Hickory, Cypress®

## Fastening Methods: TimberTech AZEK Rim Joist Cover & Riser Installation Guidelines

### Recommended Fasteners

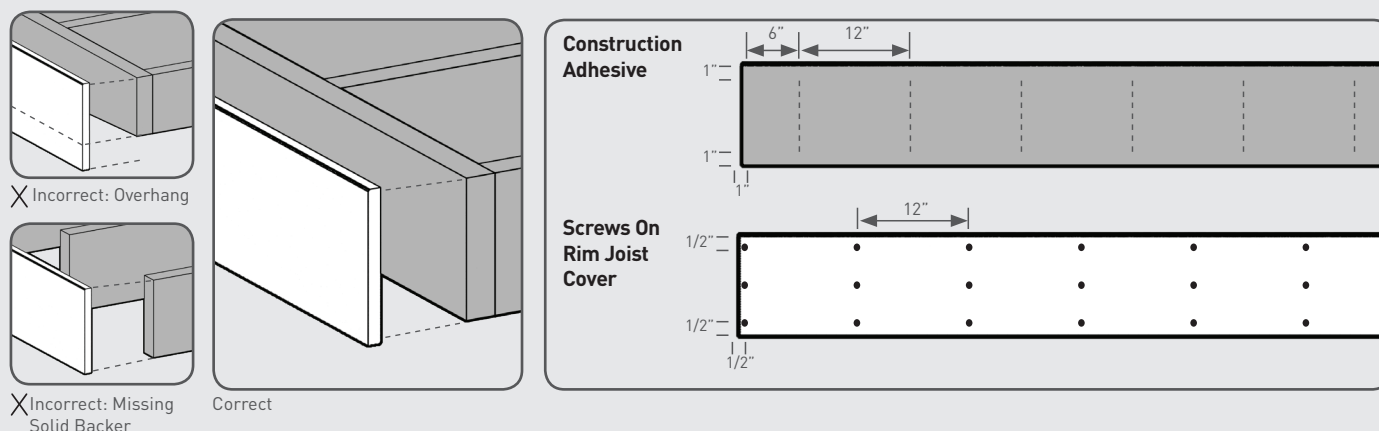
- Due to the durability of TimberTech AZEK Decking products, a high-quality fastener is recommended that meets the following specifications:
  - Stainless Steel
  - Minimum Screw Size: #7
  - Face screws to be a minimum length of 1 3/4"
- Avoid using flathead screws. Trim head screws typically provide a better result. As always, you should try the fastener in a sample board before using on your deck.
- For salt water coastal applications, we suggest using the above minimum fastener requirements in 316 stainless steel.
- Color-matched stainless steel deck screws are also available. Your AZEK Building Products dealer can assist with more information on these products.
- Do not use Cortex fastening system.

### Storage

- Store rim joist cover in a cooler, shady area prior to installation.
- Store rim joist covers on a flat solid surface.

### Rim Joist Cover/Riser Attachment

- Attach rim joist cover to a solid backer wide enough to support the entire width of the rim cover. Use 2 x 12 wood rim board or rip cut rim joist cover to fit exactly.
- Use a quality exterior rated construction adhesive as shown below.
- Install three (3) screws from top to bottom with top and bottom screws positioned no more than 1/2" from the edge as shown below. The third screw should be approximately centered in the board. Repeat this configuration every 12". Screws at ends of boards should



The techniques shown above should be used for best results. Results may vary as expansion and contraction could still occur. AZEK Building Products Inc. claims no liability or responsibility for the improper installation of this product. Since all installations are unique, it is the sole responsibility of the installer to determine specific requirements in regard to each decking application. AZEK Building Products recommends that all designs be reviewed by a licensed architect, engineer or local building official before installation. Please contact AZEK Customer Service prior to installing if you have question or concerns.



### Considerations

- Depending on environmental conditions, TimberTech AZEK Deck, Porch, Rim Joist Covers, & Riser colors may appear to lighten over time as part of the natural weathering process.
- Please be aware that excessive heat build on the surface of AZEK products from external sources such as, but not limited to, fire or reflection of sunlight can potentially lead to damage. For example, sunlight which may be reflected by low-emissivity (Low-E) glass can potentially lead to damage of exterior building products, including AZEK Deck, Porch, & Rim Joist Covers, Riser, Trim, Moulding or Railing products, due to elevation of surface temperatures which far exceed that of normal exposure of the same materials to direct sunlight. Possible damage by such reflected concentrated light may include melting, sagging, warping, distortion, surface discoloration, increased expansion or contraction, and unusual weathering.
- Static build-up is a natural occurring phenomenon that can occur with many plastic products including PVC Decking. It could occur with AZEK products under the right environmental conditions. The buildup or generation of static electricity is a naturally occurring phenomenon in many plastic based products such as carpeting, upholstery, and clothing, and can occur on alternative decking under certain environmental conditions and is not a product defect.
- Although AZEK Deck & Porch products are cooler to the touch than many other deckboard products in similar colors, all decking products will get hot in the sun. Additionally, the darker the decking color, the hotter it will feel.
- Always remove jobsite dust, clay, dirt, mud, and other construction products from AZEK Deck, Porch, Rim Joist Covers, & Riser quickly. Do not allow construction dirt and debris to sit on the AZEK Deck/ Porch surface.
- **IMPORTANT:** Do not allow airborne dust from concrete, fiber cement siding, landscape blocks, or any masonry product to accumulate on the AZEK Deck, Porch, Rim Joist Covers, & Riser surface as it may damage the surface of the deck. Do not cut any product on or near AZEK Deck, Porch, & Rim Joist Covers.

### Storage & Handling

- Store TimberTech AZEK Deck, Porch, & Rim Joist Covers on a flat and level surface.
- Store products in a cool, shady area prior to installation.
- Do not stack bundles over 8 units high.
- Always leave factory applied protective wrap, If stored outdoors, the product must be covered with non-translucent material.
- Use care when handling product with a forklift as forks can easily damage the material.
- If banding is used, use protective corners to prevent indents from the bands.
- Avoid storing TimberTech AZEK Deck, Porch, Rim Joist Covers, & Riser in areas of excessive heat.

### Warranty

AZEK Building Products are made exclusively from technologically advanced materials designed to provide years of enjoyment. TimberTech AZEK Decking products are covered by a Limited Lifetime Warranty for residential applications and a 20-year Limited Warranty for commercial applications. The warranty covers defects resulting in blistering, peeling, flaking, cracking, splitting, cupping, rotting or structural defects from termites or fungal decay. TimberTech AZEK Decking products are also covered by a 50-year limited residential fade and stain warranty. Visit [TimberTech.com](http://TimberTech.com) to view complete warranty information.

### Care & Maintenance

To keep your TimberTec AZEK Deck/Porch looking its best:

- To remove rust stains, use a household cleaner such as Krud Kutter “the must for rust”.
  - Avoid the use of rubber-backed mats, tarps, pool toys, and other non-porous items on the deck/porch for any extended period of time as these items may cause discoloration to the decking surface.
  - Some products, such as sunblock and insect repellent, contain chemicals that may alter the surface of AZEK Deck, Porch, Rim Joist Covers, & Riser. Check product labels and consult with the manufacturer as to product compatibility with plastic materials, such as AZEK Deck, Porch, Rim Joist Covers, & Riser, prior to use on or near AZEK Deck/Rim Joist Covers.
  - Do not get any PVC glue or similar product on the surface of any AZEK Decking/Porch Product as it may discolor and permanently damage the surface.
  - To clean AZEK Deck/Porch, use an all-surface deck cleaner or another all-purpose cleaner such as Chomp® Gutter cleaner, Zep® 505, Simple® Green or Krud Kutter® Cleaner/Degreaser with a stiff natural fiber brush.
  - Always read the cleaning product manufacturers specific information before using any product on your AZEK Deck and follow their instructions. It is also a good idea to test the cleaner on a scrap piece or inconspicuous area of the deck to make sure it does not harm the surface.
  - **WARNING:** Keep children and pets away from cleaning products and AZEK Deck until dry.
- \*Note that composite deck cleaners such as Corte Clean®, Thompson’s® Water Seal® Oxy Action, Olympic® Premium Deck Cleaner, or other cleaners specified as composite deck cleaners, in powder or liquid form, SHOULD NOT be used with AZEK Deck/Porch. AZEK Deck/Porch is a PVC/polymer deck plank and not a wood/plastic composite.
  - Store products under cover to maintain a clean surface.
  - If stored outdoors, they must be covered with a non-translucent material.

#### Ice and Snow:

- As with any walking surface, AZEK deck products may become slippery in Winter weather. Take caution when walking on the your AZEK deck in these conditions.
- For ice removal, most products containing calcium chloride can be used without damage to the deck/porch surface.
- These products may leave a white residue which can be cleaned using the cleaning guidelines above.
- Metal shovels or plastic shovels with a metal leading edge may damage the surface of AZEK Deck and are not recommended for clearing snow from deck/porch surface.

TimberTech  
894 Prairie Avenue  
Wilmington, OH 45177  
TimberTech.com  
1.800.307.7780